

Newell-PSN Glass Insulators

Newell-PSN, LLC has highly automated production facilities, whose quality management system conforms to ISO 9001:2000. The manufacturing scale, technology, advanced equipment, product offering and quality management are in an advanced position in this field.

We manufacture 10 product categories consisting of thousands of varieties including 70 - 800 kN HVAC and 120 - 900 kN HVDC toughened glass insulators. At present, the production capacity of toughened glass insulators is over 12 million units per year with 5 automatic production lines.

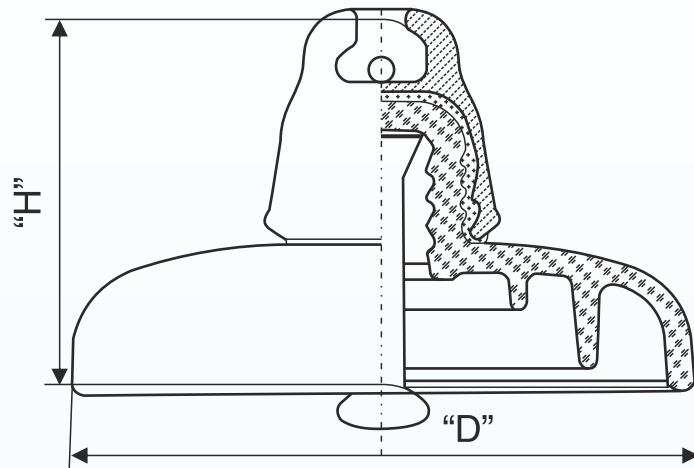
GLASS INSULATOR OPERATION

Zero spontaneous breakage and easy inspection

Glass insulators have zero spontaneous breakage. Visual inspection from the ground or helicopter can be made rather than climbing towers for inspections. The yearly spontaneous breakage rate of products in production is at or below 0.02%. The result is reduced labor for inspection and, therefore reduced maintenance cost.

Good self-cleaning and less aging

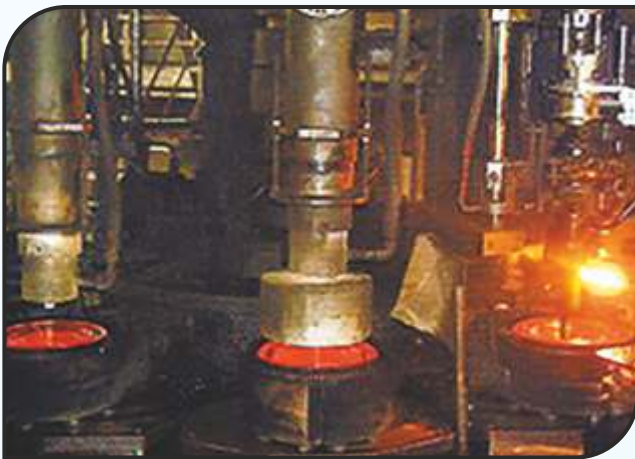
Glass insulators accumulate less dirt. The self-cleaning properties of glass allows for less aging of the insulator. Glass insulator samples have been taken from power lines in continuous operation for 40 years showing little aging even in polluted areas.



Newell-PSN PART NO.	G 523	G 525	G 528	G 5211
Combiend M&E Strength (lbs)	20000	30000	40000	50000
ANSI CLASS C 29.1 & C29.2 Ball and socket size	52-3 B type	52-5 J type	52-8 K type	52-11 K type
Diameter D inches	10	10	11	11
Spacing H inches	5 3/4	5 3/4	5 3/4	6 1/8
Creepage distance inches	12 5/8	12 5/8	15.75	15.75
Mechanical Values				
Impact strength inch-pounds	400	400	400	400
Tension proof lbs	10000	15000	20000	25000
Time load lbs	15000	15000	24000	30000
Electrical Values				
Power frequency dry flashover kv	80	80	85	85
Power frequency wet flashover kv	50	50	55	55
Critical impulse flashover	+ kv 125 - kv 130	125 130	130 135	140 140
Power frequency puncture voltage kv	130	130	130	130
RIV				
Power frequency test voltage kv	10	10	10	10
Max. RIV at 1 MHz μV	50	50	50	50
Approx. net weight lb. (kg.)	8 (3.6)	9 (4)	13 (6)	16 (7.3)

“ZINC SLEEVE” available on all units

OUR FACILITIES



Newell-PSN, LLC.

44054 HECK ROAD, COLUMBIANA, OH 44408

TELEPHONE: (304) 387-2700 □ FAX: (304) 387-2792

www.newellporcelain.com • sales@newellporcelain.com