

Technical Specification

MECHANICAL VALUES

Bending Strength: (Upright & Underhung)	lbs/kN	2000/8.9
Compression Strength:	lbs/kN	10000/44.5
Tension Strength:	lbs/kN	5000/31
Torsion Strength :	in.lbs/Nm	6000/678

ELECTRICAL VALUES

Wet Power Frequency Withstand Voltage:	kV	30
Critical Impulse Flashover Voltage POS.:	kV	105
Impulse Withstand Voltage:	kV	95

Min. Nom. Creepage Distance: inch/mm 10.5 "/267.

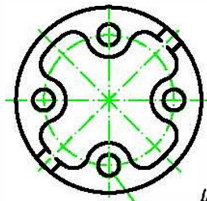
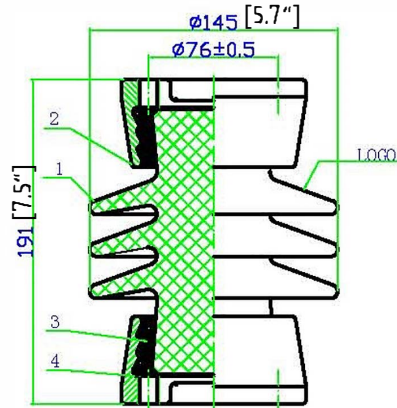
Shield profile as per IEC60185

RADIO INFLUENCE VOLTAGE DATA

Test Voltage To Ground:	kV	5
Max. RIV At 1000kHz:	uV	50

NOTE

Test & tolerance as per IEC:60168,273 & ANSI:C29.9



4 Holes 1/2" - 13UNC (0.015" Oversize)
x 0.59" deep on 3" PCD

4	cushion	2--4	Asphalt felt
3	cement		
2	cap	2	M.C.I., hot-galvanized
1	porcelain	1	Grey Glazed
Item	Title/Name	Quantity	Note

TITLE STATION POST INSULATOR		Scale	Matl. see table
Ref TR-202		Designed by	
All dimension are in mm.		Checked by	
NEWELL PSN LLC		Approved by	
		Date	2016.2.26
		Drq.NO. 231001-7001	Rev. 2