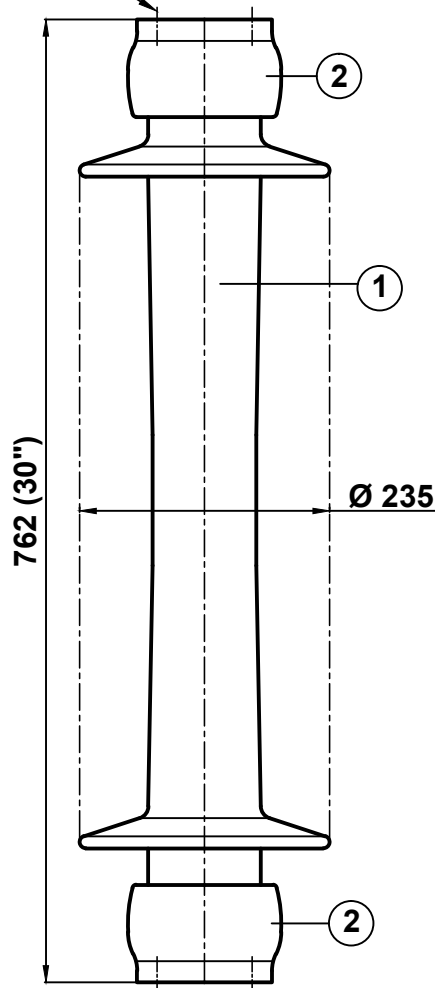


4 Holes 5/8"-11 UNC(0.015" Oversize)

X 0.866" deep on 5" PCD



4 Holes 5/8"-11 UNC (0.015" Oversize)
X 0.866" deep on 5" PCD

TECHNICAL PARTICULARS

MECHANICAL VALUES

Bending strength (Upright & under hung)	lb	3000	kN	13.34
Compression strength	lb	60000	kN	267
Tensile strength	lb	25000	kN	111
Torsional strength	in lb	40000	kNm	4.52

ELECTRICAL VALUES

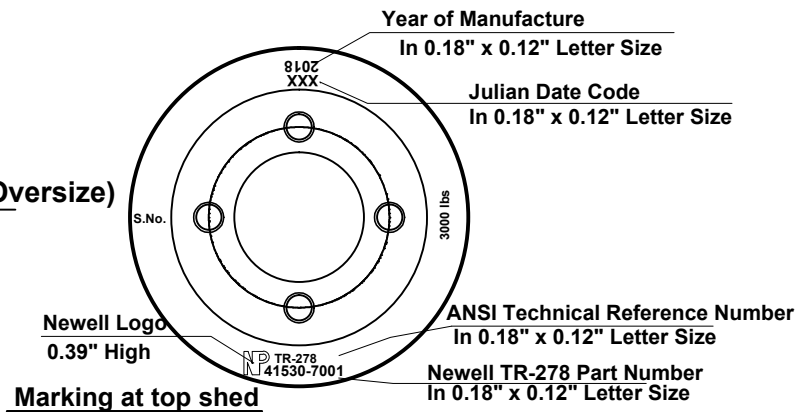
Wet power frequency withstand voltage	kV	145
Lightning impulse withstand voltage	kVp	350
Impulse flash over voltage	kVp	390
Min. creepage distance	inch. 72	mm 1830
Net Weight (approx.)	101lbs	kgs 46
Shed profile as per IEC : 60815		

RADIO INFLUENCE VOLTAGE DATA

Test voltage to ground	kV	44
Max. RIV at 1000 kHz	µV	200

NOTE: -

Test & tolerance as per ANSI : C 29.9 & C29.1



2	Caps	MCI / SGI	Hot dip galv .
1	Insulator body	Porcelain	Grey Glazed
S.No.	DESCRIPTION	MATERIAL	REMARKS

Title		Scale	Matl.
STATION POST INSULATOR (BIL - 350 kV)		N.T.S.	See table
		Ref.	Drawn Kirti Nambiar Checked S.K.Dixit Approved KR JC
All dimension are in mm /inch.		Date	26-09-2011
NEWELL PSN LLC			Rev.
			1