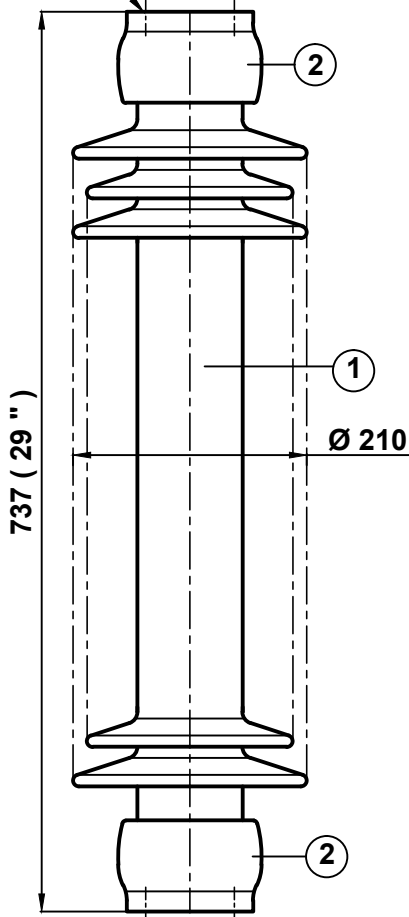


4 Holes 1/2"-13 UNC (0.015"Oversize)

x 0.59" deep on 3" PCD



4 Holes 1/2"-13 UNC (0.015"Oversize)
x 0.59" deep on 3" PCD

TECHNICAL PARTICULARS

MECHANICAL VALUES

| | | | | |
|--|-------|-------|-----|-------|
| Bending strength (Upright & under hung) | lb | 1500 | kN | 6.67 |
| Compression strength | lb | 25000 | kN | 111.2 |
| Tensile strength | lb | 16000 | kN | 71.2 |
| Torsional strength | in lb | 15000 | kNm | 1.69 |

ELECTRICAL VALUES

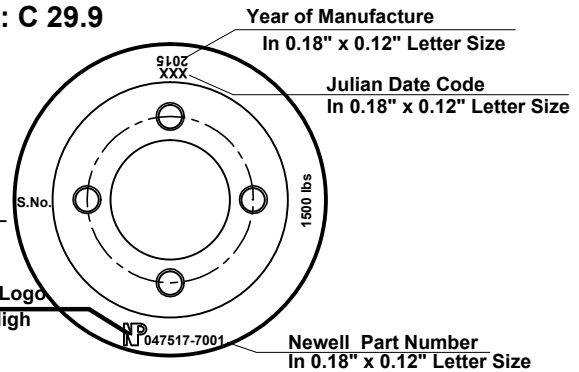
| | | | | |
|---------------------------------------|------|-----|-----|------|
| Dry power frequency withstand voltage | kV | 165 | | |
| Wet power frequency withstand voltage | kV | 145 | | |
| Dry power frequency flashover voltage | kV | 210 | | |
| Wet power frequency flashover voltage | kV | 190 | | |
| Lightning impulse withstand voltage | kVp | 350 | | |
| Impulse flash over voltage | kVp | 390 | | |
| Min. creepage distance | inch | 72 | mm | 1829 |
| Net Weight (approx.) | | | kgs | 31 |
| Shed profile as per IEC : 60815 | | | | |

RADIO INFLUENCE VOLTAGE DATA

| | | |
|------------------------|----|-----|
| Test voltage to ground | kV | 44 |
| Max. RIV at 1000 kHz | µV | 200 |

NOTE: -

Test & tolerance as per IS :2544 , 5350 & IEC :60168 ,
273 & ANSI : C 29.9



Marking at top shed

| | | | |
|-------|----------------|-----------|----------------|
| 2 | Caps | MCI / SGI | Hot dip galv . |
| 1 | Insulator body | Porcelain | Grey Glazed |
| S.No. | DESCRIPTION | MATERIAL | REMARKS |

| | | |
|---|--------|-----------|
| Title | Scale | Matl. |
| STATION POST INSULATOR (BIL - 350 kV) | N.T.S. | See table |

| | | |
|------|----------|---------------|
| Ref. | Drawn | Kirti Nambiar |
| | Checked | S.K.Dixit |
| | Approved | KR JC |

| | | |
|------------------------------|------|------------|
| All dimension are in mm/inch | Date | 23-01-2009 |
|------------------------------|------|------------|

| | |
|-----------------------|----------|
| NEWELL PSN LLC | Rev. |
| | 0 |