

## TECHNICAL PARTICULARS

### MECHANICAL VALUES

Bending strength (Upright)	lb	1450	kN	6.45
Compression strength	lb	60000	kN	267
Tensile strength	lb	20000	kN	89
Torsional strength	inch-lb	60000	kNm	6.8

### ELECTRICAL VALUES

Dry power frequency withstand voltage	kV	585
Wet power frequency withstand voltage	kV	525
Dry power frequency flashover voltage	kV	615
Wet power frequency flashover voltage	kV	555
Lightning impulse withstand voltage	kVp	1300
Impulse flash over voltage	kVp	1410
Min. creepage distance - inch	mm	231 / 5868
Net weight ( approx ) - lb	kgs	337 / 153

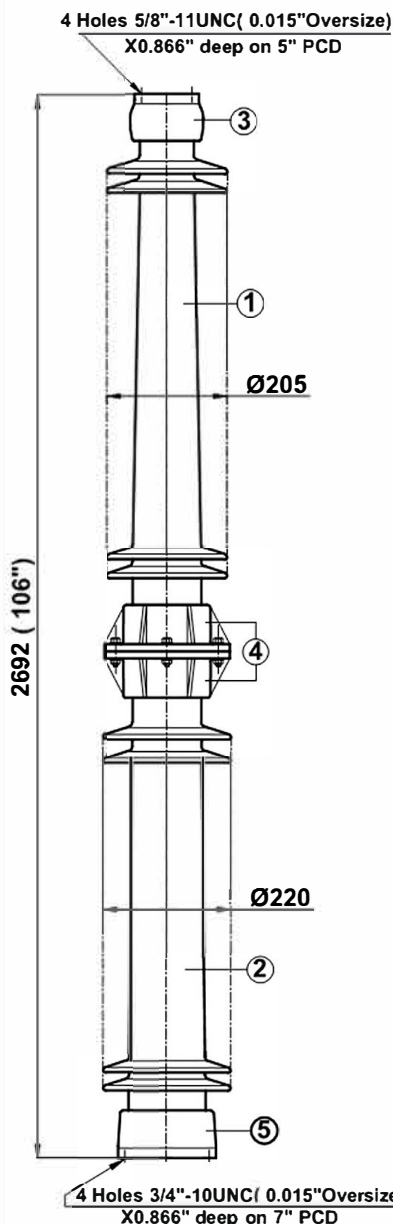
Shed profile as per IEC : 60815

### RIV DATA

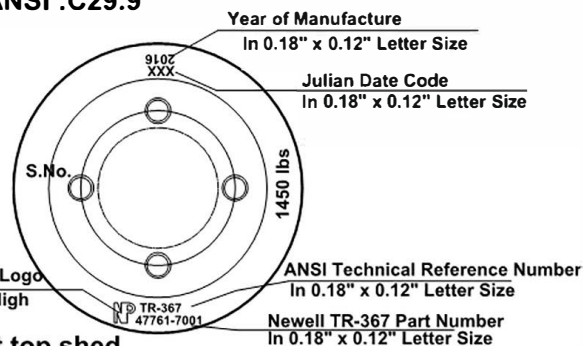
Test voltage to ground	kv	220
Max. RIV Microvolts at 1000 kHz	µv	1000

NOTE: -

Test & tolerance as per IS :2544 , 5350 & IEC :60168 ,  
IEC :273 & ANSI :C29.9



### Marking at top shed



3, 4 & 5	Caps & flanges	MCI / SGI	Hot dip galv .
1, 2	Insulator body	Porcelain	Grey Glazed
S.No.	DESCRIPTION	MATERIAL	REMARKS
Title		Scale	Matl.
<b>345 kV STATION POST INSULATOR (BIL-1300 kV)</b>		N.T.S.	See table
		Ref.	
<b>47761-7001 [TR-367]</b>		Drawn	Kirti Nambiar
		Checked	S.K.Dixit
		Approved	K R JC
All dimension are in mm./inch.		Date	23-09-2011
<b>NEWELL PSN LLC</b>			Rev.
			<b>0</b>