

4 Holes 5/8"-11UNC( 0.015"Oversize)  
X0.866" deep on 5" PCD

## TECHNICAL PARTICULARS

### MECHANICAL VALUES

Bending strength	lb	800	kN	3.6
Compression strength	lb	60000	kN	267
Tensile strength	lb	20000	kN	89
Torsional strength	inch-lb	40000	kNm	4.52

### ELECTRICAL VALUES

Dry power frequency withstand voltage	kV	515		
Wet power frequency withstand voltage	kV	455		
Dry power frequency flashover voltage	kV	545		
Wet power frequency flashover voltage	kV	485		
Lightning impulse withstand voltage	kVp	1050		
Impulse flash over voltage	kVp	1210		
Min. creepage distance	inch	198	mm	5030

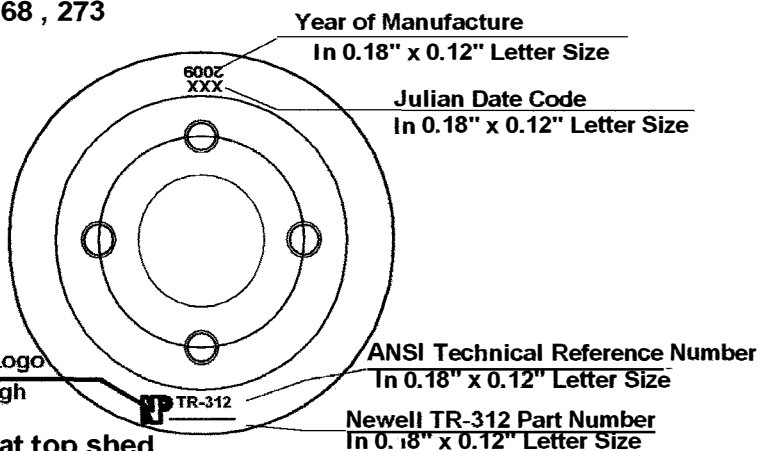
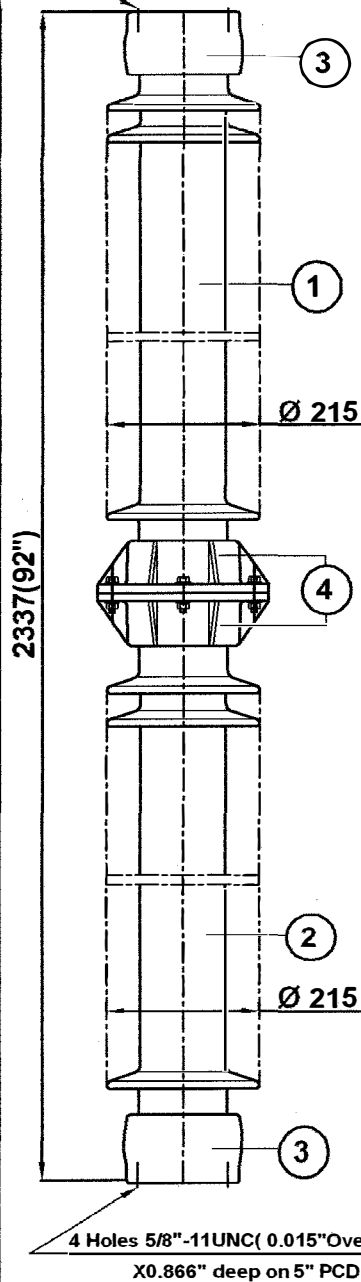
Shed profile as per IEC : 60815

### RIV DATA

Test voltage to ground	kV	146
Max. RIV Microvolts at 1000 kHz	µv	500

NOTE: -

Test & tolerance as per IS :2544 , 5350 ,ANSI C29.9  
& IEC :60168 , 273



### Marking at top shed

3 & 4	Cap & flange	MCI / SGI	Hot dip galv .
1, 2	Insulator body	Al. porcelain	Grey Glazed
S.No.	DESCRIPTION	MATERIAL	REMARKS

Title	<b>STATION POST INSULATOR</b> ( BIL 1050 )	Scale	N.T.S.	Matl.	See table
Ref.	<b>47807-7001 [TR-312]</b>	Drawn	Prashant Gaur	Checked	S.KDixit
		Approved	Prashant Gaur	Date	26 - 11 - 2004

All dimension are in mm.

**NEWELL P S N L L C**

Rev.

**0**