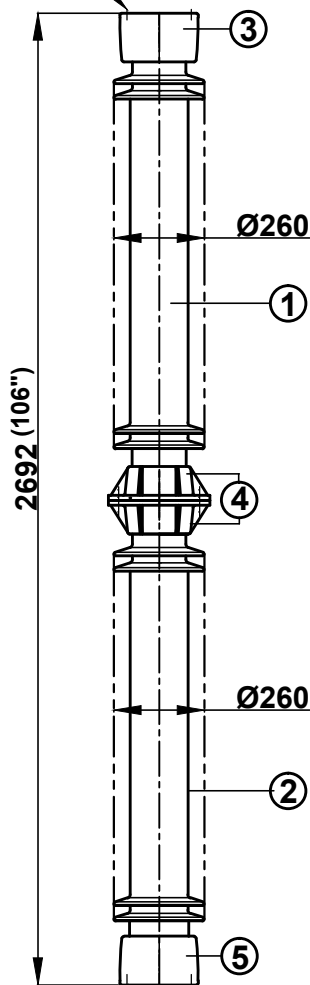


4Holes 3/4"-10UNC
(0.015"Oversize)
X 0.866 deep on 7"P.C.D.



4Holes 3/4"-10UNC
(0.015"Oversize)
X 0.866 deep on 7"P.C.D.

TECHNICAL PARTICULARS

MECHANICAL VALUES

Bending strength	lb	2050	kN	9.12
(Upright & Under hung)				
Compression strength	lb	120000	kN	534
Tensile strength	lb	40000	kN	178
Torsional strength	inch-lb	120000	kNm	13.56

ELECTRICAL VALUES

Dry power frequency withstand voltage	kV	585
Wet power frequency withstand voltage	kV	525
Dry power frequency flashover voltage	kV	615
Wet power frequency flashover voltage	kV	555
Lightning impulse withstand voltage	kVp	1300
Impulse flash over voltage	kVp	1410
Min. creepage distance - inch	mm	5868
Net Weight (approx.)	kg	254

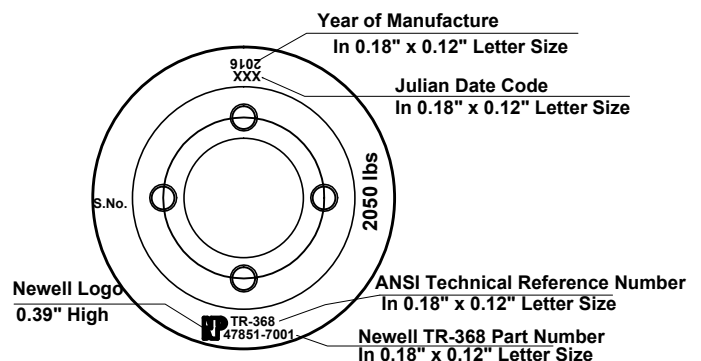
Shed profile as per IEC : 60815

RIV DATA

Test voltage to ground	kV	220
Max. RIV Microvolts at 1000 kHz	µV	1000

NOTE: -

Test & tolerance as per IS :2544 , 5350 & IEC :60168 ,
IEC :273 & ANSI :C29.9



Marking at top shed

3, 4 & 5	Caps & flanges	MCI / SGI	Hot dip galv .
1, 2	Insulator body	Porcelain	Grey glaze
S.No.	DESCRIPTION	MATERIAL	REMARKS

Title	345 kV Station Post Insulator (BIL-1300 kv)	Scale N.T.S.	Matl. See table
-------	---	-----------------	--------------------

Ref. TR-368 (47851-7001)	Drawn	Prashant Gaur
	Checked	S.K.dixit
	Approved	KR JC

All dimension are in mm./inch	Date	24 - 05 - 2008
-------------------------------	------	----------------

NEWELL PSNLLC	Rev.	0