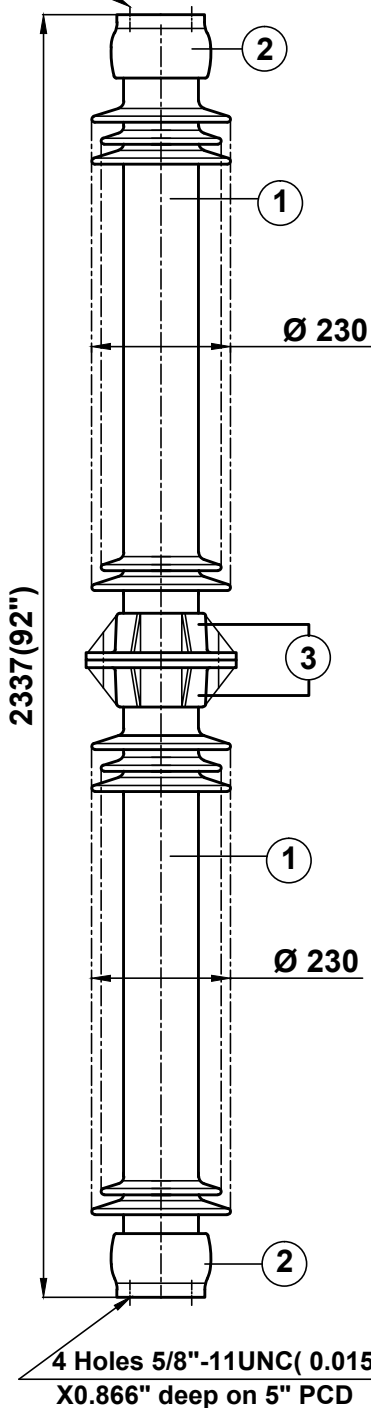


4 Holes 5/8"-11UNC(0.015"Oversize)
X0.866" deep on 5" PCD



4 Holes 5/8"-11UNC(0.015"Oversize)
X0.866" deep on 5" PCD

TECHNICAL PARTICULARS

MECHANICAL VALUES

Bending strength (Upright & Underhung)	lb	1250	kN	5.56
Compression strength	lb	60000	kN	267
Tensile strength	lb	20000	kN	89
Torsional strength	in lb	60000	kNm	6.78

ELECTRICAL VALUES

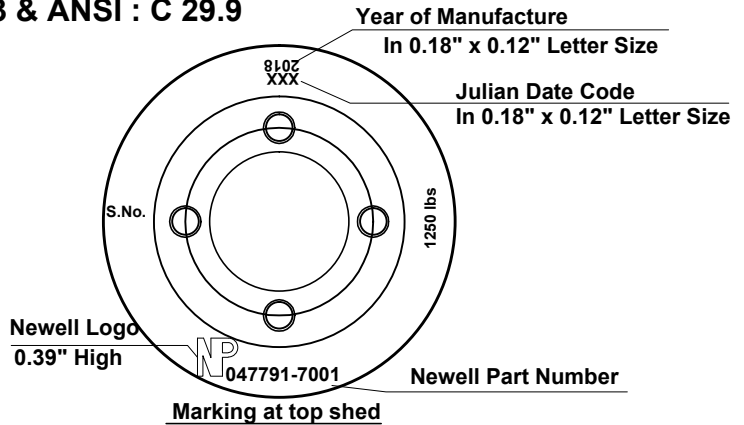
Wet power frequency withstand voltage	kV	455
Lightning impulse withstand voltage	kVp	1050
Impulse flash over voltage	kVp	1210
Min. nominal creepage distance	inch 216 mm	5487
Net weight (approx.)	326lbs	kgs 148
Shed profile as per IEC : 60815		

RADIO INFLUENCE VOLTAGE DATA

Test voltage to ground	kV	146
Max. RIV at 1000 kHz	µV	500

NOTE: -

Test & tolerance as per IS :2544 , 5350 & IEC :60168 ,
273 & ANSI : C 29.9



2 & 3	Caps & Flange	MCI / SGI	Hot dip galv .
1	Insulator body	Porcelain	Grey glazed
S.No.	DESCRIPTION	MATERIAL	REMARKS

Title	Scale N.T.S.	Matl. See table
SOLID CORE POST INSULATOR (BIL - 1050 kV)		

Ref.	47791-7001 [TR-312]	Drawn	Kirti Nambiar
		Checked	S.K.Dixit
		Approved	S.K.dixit

All dimension are in mm./inch	Date	11-05-2017
-------------------------------	------	------------

NEWELL PSN LLC	Rev.	0