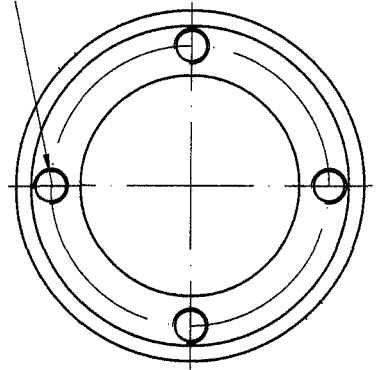


5/8" -11UPS-2B
 4 HOLES AT 90° ON 5.00" B.C.,
 5/8" DEEP BOTH ENDS



MECHANICAL CHARACTERISTICS
 CANTILEVER STRENGTH, LBS 8000
 TENSILE STRENGTH, LBS 28000
 TORSIONAL STRENGTH, IN-LBS 40000
 COMPRESSION STRENGTH, LBS 40000
 ELECTRICAL CHARACTERISTICS
 POS. CRITICAL F.O., kV 105
 IMPULSE WITHSTAND, kV 95
 60 HZ WET WITHSTAND, kV 30
 RIV CHARACTERISTICS
 60 HZ TEST VOLTAGE, kV 5
 MAX. RIV AT 1000 KHz, vV 50
 PHYSICAL CHARACTERISTICS
 LEAKAGE DISTANCE, IN 10.5
 COLOR: GRAY
 TESTED PER ANSI C29.1 (LATEST REVISION)
 & ANSI C 29.9 (LATEST REVISION)

					TR-232	DRAWING	4 1010-7001		
					95kV -BIL	PHASE	SIGN	WEIGHT	SCALE
					NON-STACKING				
					STATION POST	TOTAL 1 PAGES		PAGE 1	
SIGN	QTY	REJIGGER #	NAME	DATE	TR-232	NEWELL-PSN LLC			
DRAWN									
CHECKED									
APPROVE									
DATE									
					MATERIAL	PORCELAIN			