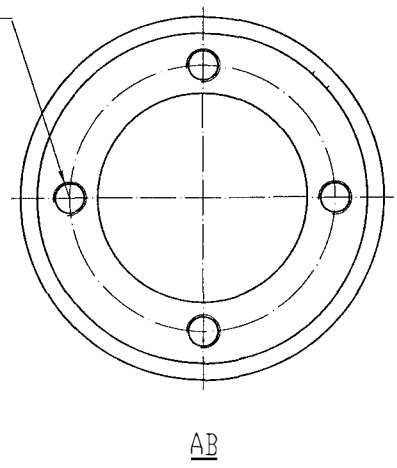


| | |
|--|-------|
| MECHANICAL CHARACTERISTICS | |
| CANTILEVER STRENGTH, LBS | 8000 |
| TENSILE STRENGTH, LBS | 28000 |
| TORSIONAL STRENGTH, IN-LBS | 40000 |
| COMPRESSION STRENGTH, LBS | 40000 |
| ELECTRICAL CHARACTERISTICS | |
| POS. CRITICAL F. O., kV | 170 |
| IMPULSE WITHSTND, kV | 150 |
| 60 HZ WET WITHSTAND, kV | 60 |
| RIV CHARACTERISTICS | |
| 60 HZ TEST VOLTAGE, kV | 15 |
| MAX. RIV AT 1000 KHz, v V | 100 |
| PHYSICAL CHARACTERISTICS | |
| LEAKAGE DISTANCE, IN | 24 |
| COLOR: GRAY | |
| TESTED PER ANSI C29.1 (LATEST REVISION) & ANSI C 29.9 (LATEST REVISION) | |

5/8" - 11UFS-2B
4 HOLES AT 90° ON 5.00" B.C.,
5/8" DEEP BOTH ENDS



| | | | | | | | | | |
|---------|-----|-------------|------|------|--|--|--------------------|--------|-------|
| | | | | | 150kV -BIL NON-STACKING STATION POST | | DRAWING 41015-7001 | | |
| | | | | | TR-237 | | PHASE SIGN | WEIGHT | SCALE |
| | | | | | MATERIAL PORCELAIN | | TOTAL 1 PAGES | PAGE 1 | |
| | | | | | NEWELL-PSV LLC | | | | |
| SIGN | QTY | REJIGGER No | NAME | DATE | | | | | |
| DRAWN | | | | | | | | | |
| CHECKED | | | | | | | | | |
| APPROVE | | | | | | | | | |
| DATE | | | | | | | | | |