

4 Holes 5/8"-11 UNC(0.015" Oversize)

X 0.866" deep on 5" PCD

TECHNICAL PARTICULARS

MECHANICAL VALUES

| | | | | |
|--|---------|-------|-----|------|
| Bending strength (Upright & Underhung) | lb | 900 | kN | 4.00 |
| Compression strength | lb | 90000 | kN | 400 |
| Tensile strength | lb | 25000 | kN | 111 |
| Torsional strength | inch-lb | 90000 | kNm | 10.2 |

ELECTRICAL VALUES

| | | | | |
|---------------------------------------|------|------|----|------|
| Dry power frequency withstand voltage | kV | 650 | | |
| Wet power frequency withstand voltage | kV | 590 | | |
| Dry power frequency flashover voltage | kV | 700 | | |
| Wet power frequency flashover voltage | kV | 635 | | |
| Lightning impulse withstand voltage | kVp | 1470 | | |
| Impulse flash over voltage | kVp | 1610 | | |
| Min. creepage distance | inch | 264 | mm | 6706 |

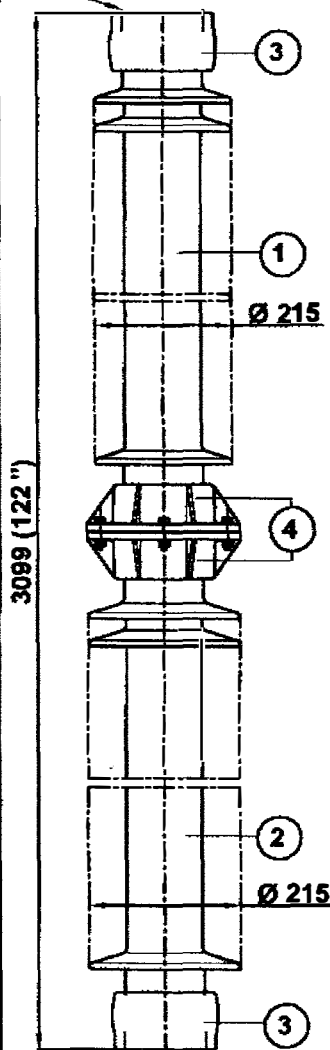
Shed profile as per IEC : 60815

RIV DATA

| | | |
|------------------------|----|------|
| Test voltage to ground | kV | 220 |
| Max. RIV at 1000 kHz | µv | 1000 |

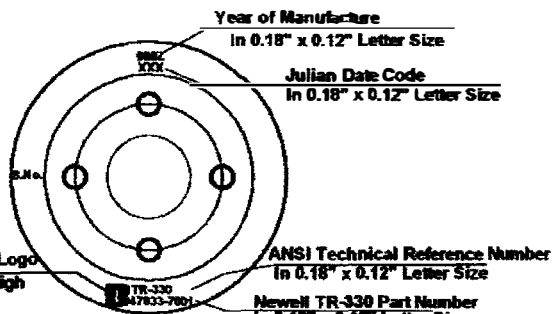
NOTE: -

Test & tolerance as per IS :2544 , 5350 ,ANSI C29.9
& IEC :60168 , 273



4 Holes 5/8"-11 UNC(0.015" Oversize)

X 0.866" deep on 5" PCD



Marking at top shed

| | | | |
|-------|----------------|---------------|----------------|
| 3 & 4 | Cap & flange | MCI / SGI | Hot dip galv . |
| 1, 2 | Insulator body | Al. porcelain | Grey Glazed |
| S.No. | DESCRIPTION | MATERIAL | REMARKS |

| | | | |
|---|--|--------------------------------|-------------------------------|
| Title STATION POST INSULATOR (BR 1470) | | Scale N.T.S. | Matl. See table |
| Ref. 47833-7001 [TR-330] | | Drawn Kirti Nambiar | Checked <i>[Signature]</i> |
| All dimension are in mm./inch. | | Approved <i>[Signature]</i> | Date 07-03-2009 |

| | |
|-----------------------|----------|
| NEWELL PSN LLC | Rev. |
| | 0 |