

Technical Specification

MECHANICAL VALUES

Bending Strength: (Upright & Underhung)	lbs/kN	4000/17.8
Compression Strength:	lbs/kN	20000/89
Tension Strength:	lbs/kN	15000/66.7
Torsion Strength :	in.lbs/Nm	12000/1356

ELECTRICAL VALUES

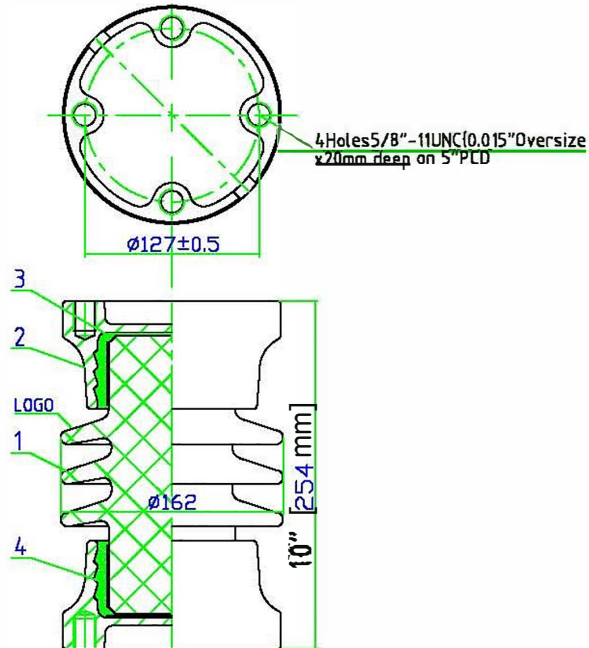
Wet Power Frequency Withstand Voltage:	kV	30
Critical Impulse Flashover Voltage POS.:	kV	105
Impulse Withstand Voltage:	kV	95
Min. Nom. Creepage Distance:	inch/mm	10.5 "/267.

RADIO INFLUENCE VOLTAGE DATA

Test Voltage To Ground:	kV	5
Max. RIV At 1000kHz:	uV	50

NOTE

Test & tolerance as per IEC:60168,273 & ANSI:C29.9



4	cushion	2--4	Asphalt felt
3	cement		
2	cap	2	M.C.I., hot-galvanized
1	porcelain	1	Grey Glazed
Item	Title/Name	Quantity	Note

TITLE STATION POST INSULATOR		Scale	Matl.
Ref TR-222		Designed by	
All dimension are in mm.		Checked by	
NEWELL PSN LLC		Approved by	
		Date	2016.2.26
		Drq.NO. 41510-7001	Rev. 1