

**TECHNICAL PARTICULARS**  
**MECHANICAL VALUES**

Bending strength ( Upright )	lb	3500	kN	15.56
Compression strength	lb	100000	kN	445
Tensile strength	lb	40000	kN	178
Torsional strength	in lb	120000	kNm	13.56

**ELECTRICAL VALUES**

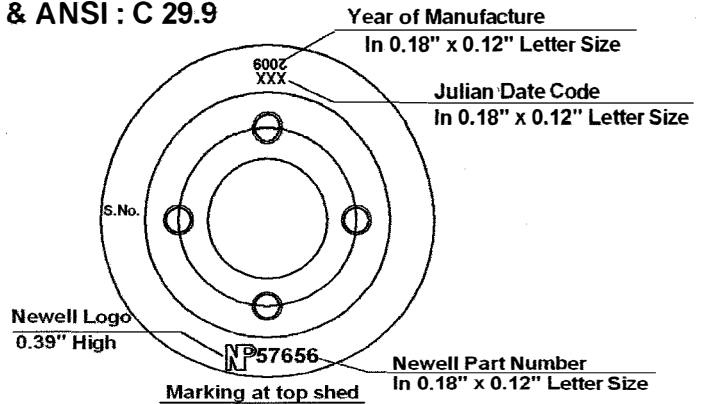
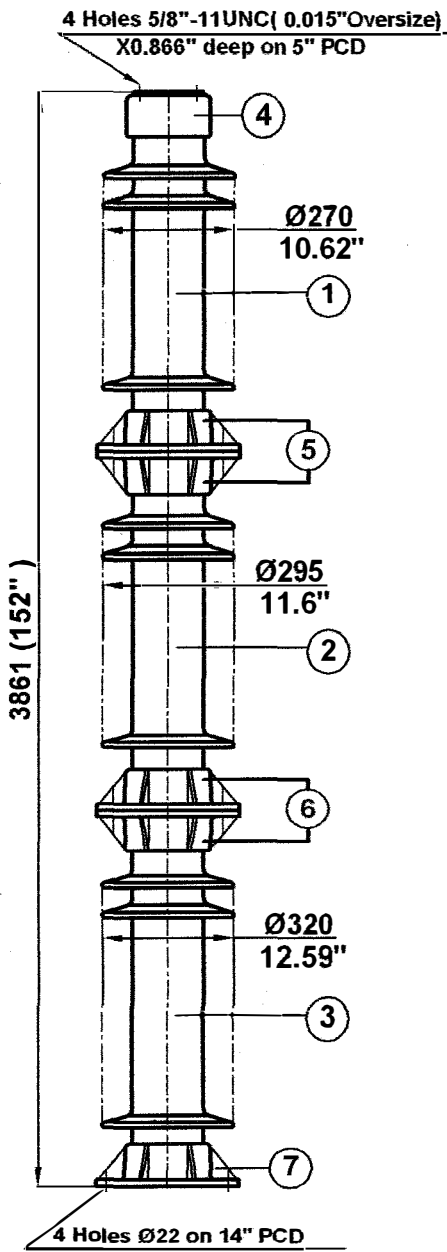
Dry power frequency withstand voltage	kV	770
Wet power frequency withstand voltage	kV	710
Dry power frequency flashover voltage	kV	800
Wet power frequency flashover voltage	kV	740
Lightning impulse withstand voltage	kVp	1800
Impulse flash over voltage	kVp	2000
Min. nominal creepage distance	inch 360 mm	9144
Shed profile as per IEC : 60815		

**RADIO INFLUENCE VOLTAGE DATA**

Test voltage to ground	kV	318
Max. RIV at 1000 kHz	μV	2000

**NOTE: -**

Test & tolerance as per IS :2544 , 5350 & IEC :60168 , 273 & ANSI : C 29.9



4,5,6,&7	Caps & Flange	MCI / SGI	Hot dip galv .
1,2 & 3	Insulator body	Al. porcelain	Grey glazed
S.No.	DESCRIPTION	MATERIAL	REMARKS

Title <b>STATION POST INSULATOR</b> ( BIL - 1800 kV )		Scale N.T.S.	Matl. See table
Ref. <b>57656-7101</b>		Drawn	Kirti Nambiar
		Checked	S.K.Dixit
		Approved	KR JC
All dimension are in mm.		Date	11-07-2008
NEWELL PSN LLC			Rev. <b>2</b>

CD 9144 mm was 8382 mm