

TECHNICAL PARTICULARS

MECHANICAL VALUES

Bending strength (Upright & Underhung)	lb	2000	(8.9kN)
Compression strength	lb	15000	(67kN)
Tensile strength	lb	12000	(54kN)
Torsional strength	lb in	12000	(1.4kNm)

ELECTRICAL VALUES

Dry power frequency withstand voltage	kV	115
Wet power frequency withstand voltage	kV	100
Dry power frequency flashover voltage	kV	125
Wet power frequency flashover voltage	kV	105
Lightning impulse withstand voltage	kVp	250
Impulse flash over voltage	kVp	270
Min. creepage distance (43 inches)	mm	1092
Net Weight (approx) (42lbs)	kgs	19
Shed profile as per IEC : 60815		

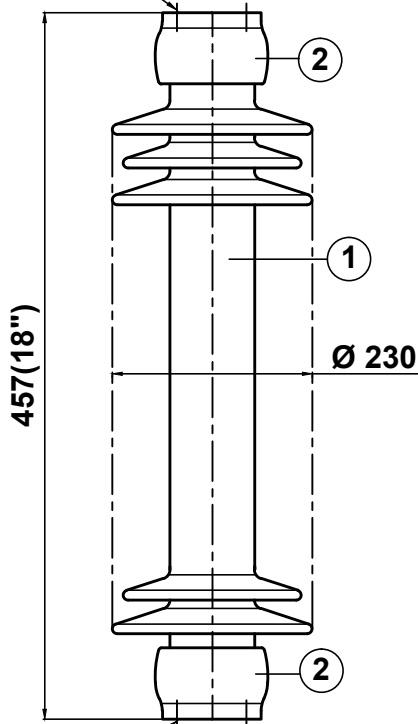
RADIO INFLUANCE VOLTAGE DATA

Test voltage to ground	kV	30
Max. RIV at 1000 kHz	µv	200

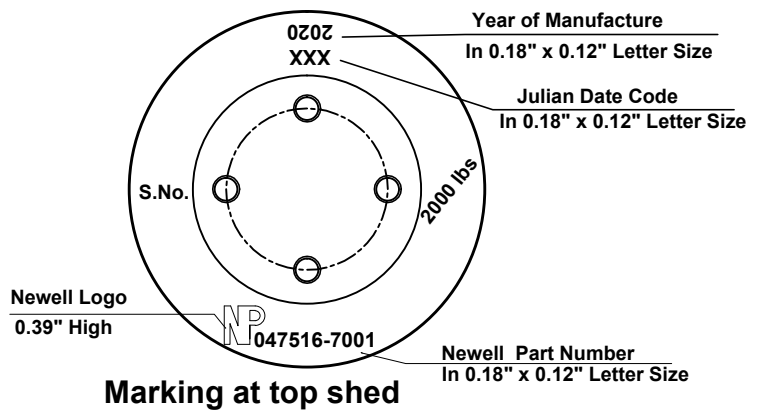
NOTE: -

Test & tolerance as per ANSI:C29.9 & C29.1

4 Holes 1/2"-13UNC(0.015"Oversize)
X0.59" deep on 3" PCD



4 Holes 1/2"-13UNC(0.015"Oversize)
X0.59" deep on 3" PCD



3	Cement	Portland	
2	Caps	SGI	Hot dip galv .
1	Insulator body	Porcelain	Grey Glazed
S.No.	DESCRIPTION	MATERIAL	REMARKS

Title STATION POST INSULATOR (BIL - 250 kV)		Scale N.T.S. 	Matl. See table
Ref. 47516-7001		Drawn	Kirti Nambiar
		Checked	S.k.dixit
		Approved	KR JC
All dimensions are in mm (inches)		Date	03-12-2010
NEWELL PSN LLC			Rev.
			0