

4Holes 5/8"-11UNC (0.015"Oversize)
X 0.866 deep on 5" P.C.D.

TECHNICAL PARTICULARS

MECHANICAL VALUES

Bending strength (Upright) lb	4500	kN	20
Compression strength lb	120000	kN	534
Tensile strength lb	40000	kN	178
Torsional strength inch-lb	120000	kNm	13.56

ELECTRICAL VALUES

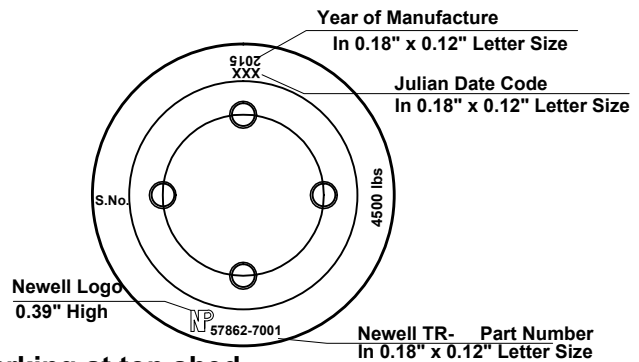
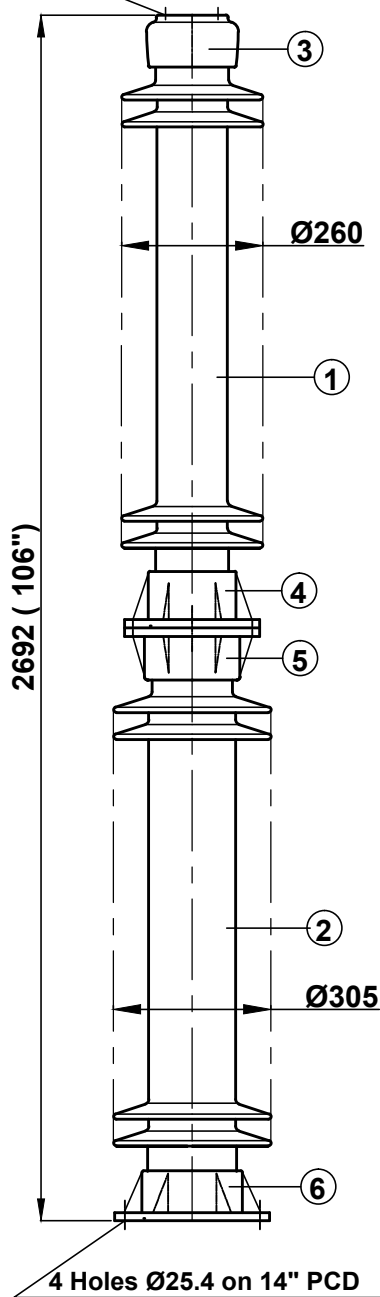
Dry power frequency withstand voltage	kV	585	
Wet power frequency withstand voltage	kV	525	
Dry power frequency flashover voltage	kV	615	
Wet power frequency flashover voltage	kV	555	
Lightning impulse withstand voltage	kVp	1300	
Impulse flash over voltage	kVp	1410	
Min. creepage distance	inch	231	
	mm	5868	
Net weight (Approx.)	673 lbs	kgs	306
Shed profile as per IEC : 60815			

RIV DATA

Test voltage to ground	kv	220
Max. RIV Microvolts at 1000 kHz	µv	1000

NOTE: -

Test & tolerance as per IS :2544 , 5350 & IEC :60168 ,
IEC :273 & ANSI :C29.9



Marking at top shed

3, 4, 5 & 6	Caps & flanges	MCI / SGI	Hot dip galv .
1, 2	Insulator body	Porcelain	Grey Glaze
S.No.	DESCRIPTION	MATERIAL	REMARKS
Title		Scale	Matl.
345 kV STATION POST INSULATOR (BIL-1300 kv)		N.T.S.	See table
		Ref.	Drawn
57862-7001		Checked	Kirti Nambiar
		Approved	S.K.dixit
All dimension are in mm .		Date	KR JC
			02-04-2009
NEWELL PSN LLC			Rev.
			0