

1

2

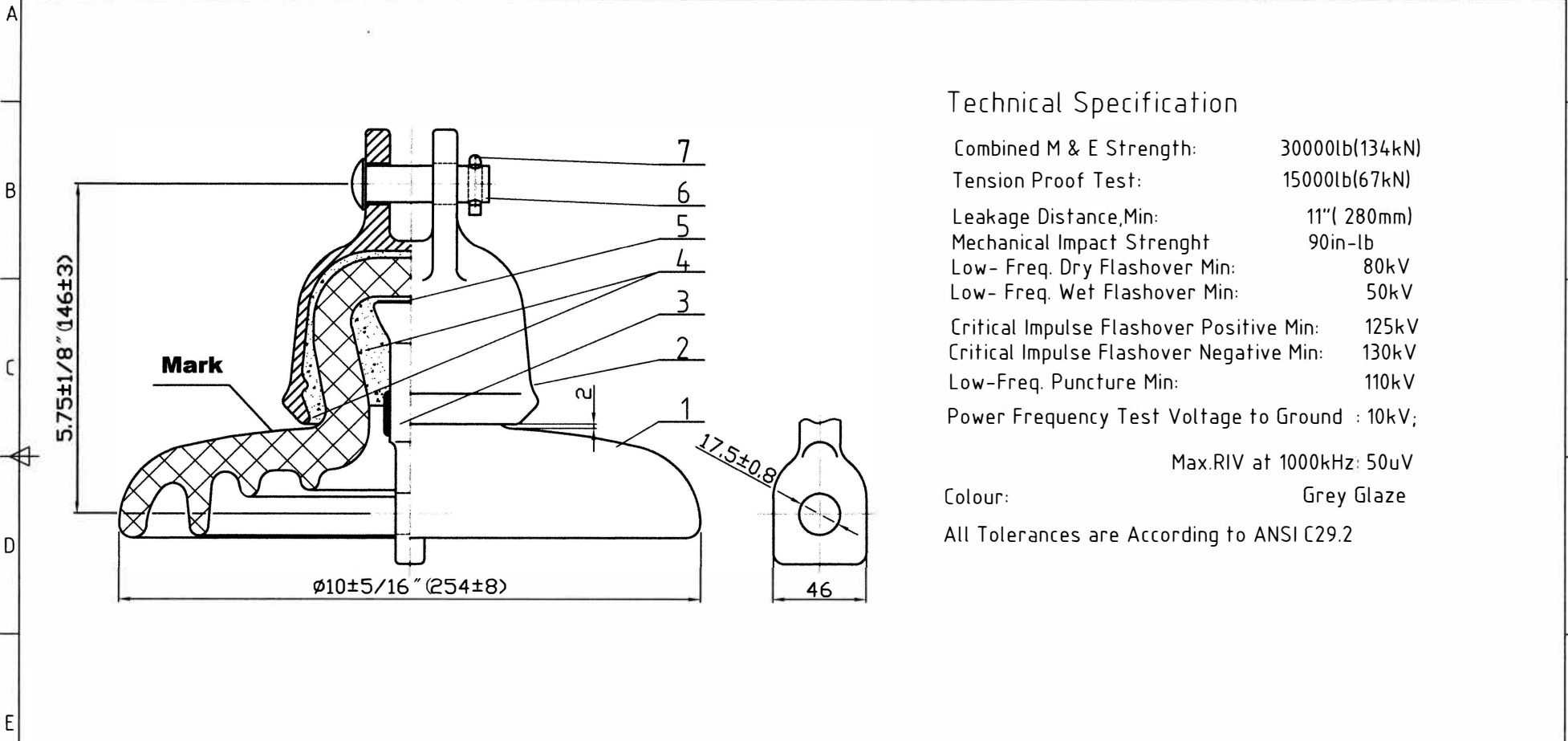
3

6

7

8

Rev.No.	Revision details/revision note	Date	Signature	Approved



### Technical Specification

Combined M & E Strength: 30000lb(134kN)  
 Tension Proof Test: 15000lb(67kN)  
 Leakage Distance,Min: 11"( 280mm)  
 Mechanical Impact Strenght 90in-lb  
 Low- Freq. Dry Flashover Min: 80kV  
 Low- Freq. Wet Flashover Min: 50kV  
 Critical Impulse Flashover Positive Min: 125kV  
 Critical Impulse Flashover Negative Min: 130kV  
 Low-Freq. Puncture Min: 110kV  
 Power Frequency Test Voltage to Ground : 10kV;  
 Max.RIV at 1000kHz: 50uV  
 Colour: Grey Glaze  
 All Tolerances are According to ANSI C29.2

- 1. Porcelain Shed
- 2. Cap, M.C.I.,Hot Galvanized
- 3. Pin, Steel with Zinc Sleeve,Hot Galvanized
- 4. Portland Cement
- 5. Lincrusta cushion
- 6. Cotter Pin,Steel,Hot Dip Galv.
- 7. Stainless Steel Clip

ANSI 52-6 M & E STRENGHT: 30000lb	232526Z-7001	
PORCELAIN DISC SUSPENSION INSULATOR	UNIT	WEIGHT
	INCH/MM	12.32lbs
ASSEMBLY DRAWING	NEWELL-PSN	