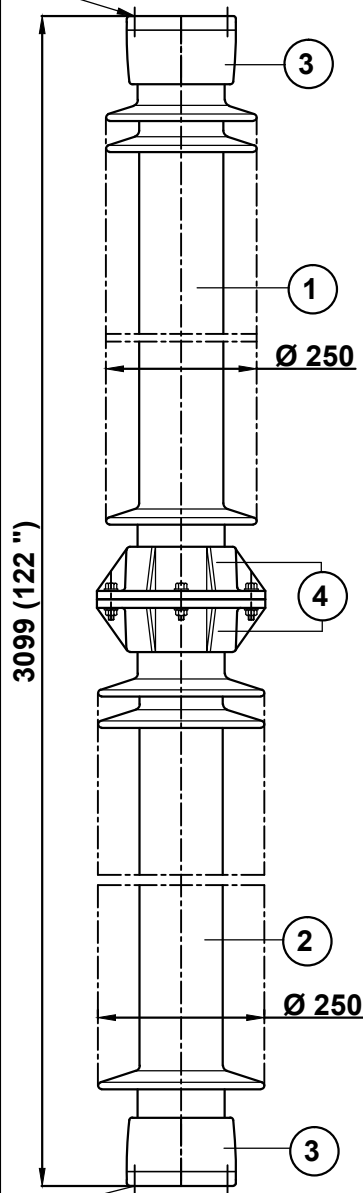


4Holes3/4"-10UNC ( 0.015"Oversize)

X 0.866 deep on 7"P.C.D.



4Holes3/4"-10UNC ( 0.015"Oversize)

X 0.866 deep on 7"P.C.D.

## TECHNICAL PARTICULARS

### MECHANICAL VALUES

Bending strength ( Upright & Underhung)	lb	1750	kN	7.8
Compression strength	lb	120000	kN	534
Tensile strength	lb	40000	kN	178
Torsional strength	inch-lb	120000	kNm	13.6

### ELECTRICAL VALUES

Dry power frequency withstand voltage	kV	650		
Wet power frequency withstand voltage	kV	590		
Dry power frequency flashover voltage	kV	700		
Wet power frequency flashover voltage	kV	635		
Lightning impulse withstand voltage	kVp	1470		
Impulse flash over voltage	kVp	1610		
Min. creepage distance	inch	264	mm	6706
Net weight ( approx.)	kg	268		

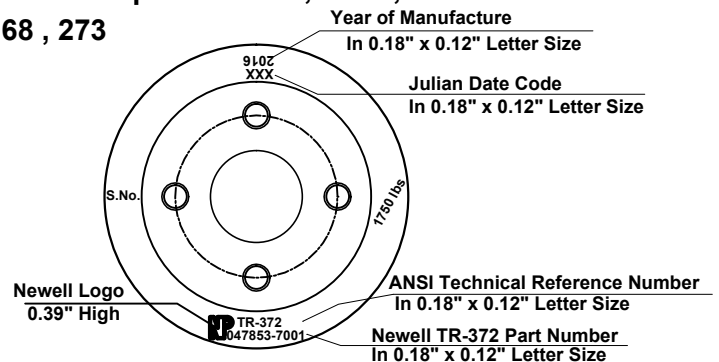
Shed profile as per IEC : 60815

### RIV DATA

Test voltage to ground	kV	220
Max. RIV at 1000 kHz	μv	1000

NOTE: -

Test & tolerance as per IS :2544 , 5350 ,ANSI C29.9  
& IEC :60168 , 273



### Marking at top shed

S.No.	DESCRIPTION	MATERIAL	REMARKS																																		
3 & 4	Cap & flange	MCI / SGI	Hot dip galv .																																		
1, 2	Insulator body	Porcelain	Grey Glazed																																		
<table border="1"> <tr> <td>Title</td> <td><b>380 kV</b> <b>STATION POST INSULATOR</b> ( BIL 1470 )</td> <td>Scale</td> <td>N.T.S.</td> <td>Matl.</td> <td>See table</td> </tr> <tr> <td rowspan="3">Ref.</td> <td rowspan="3"><b>47853-7001 TR-372</b></td> <td>Drawn</td> <td colspan="3">H.S. Rathore</td> </tr> <tr> <td>Checked</td> <td colspan="3">S.K.dixit</td> </tr> <tr> <td>Approved</td> <td colspan="3">KR JC</td> </tr> <tr> <td colspan="2">All dimension are in mm./inch.</td> <td>Date</td> <td colspan="3">22-02-2011</td> </tr> <tr> <td colspan="2" rowspan="2"><b>NEWELL PSN LLC</b></td> <td colspan="2" rowspan="2"></td> <td>Rev.</td> <td></td> </tr> <tr> <td></td> <td><b>0</b></td> </tr> </table>				Title	<b>380 kV</b> <b>STATION POST INSULATOR</b> ( BIL 1470 )	Scale	N.T.S.	Matl.	See table	Ref.	<b>47853-7001 TR-372</b>	Drawn	H.S. Rathore			Checked	S.K.dixit			Approved	KR JC			All dimension are in mm./inch.		Date	22-02-2011			<b>NEWELL PSN LLC</b>				Rev.			<b>0</b>
Title	<b>380 kV</b> <b>STATION POST INSULATOR</b> ( BIL 1470 )	Scale	N.T.S.	Matl.	See table																																
Ref.	<b>47853-7001 TR-372</b>	Drawn	H.S. Rathore																																		
		Checked	S.K.dixit																																		
		Approved	KR JC																																		
All dimension are in mm./inch.		Date	22-02-2011																																		
<b>NEWELL PSN LLC</b>				Rev.																																	
					<b>0</b>																																