

4Holes5/8"-11UNC (0.015"Oversize)
X 0.866 deep on 5"P.C.D.

TECHNICAL PARTICULARS

MECHANICAL VALUES

| | | | |
|-------------------------------|-------|-----|------|
| Bending strength (Upright) lb | 1000 | kN | 4.45 |
| Compression strength lb | 60000 | kN | 267 |
| Tensile strength lb | 20000 | kN | 89 |
| Torsional strength inch-lb | 60000 | kNm | 6.78 |

ELECTRICAL VALUES

| | | |
|---------------------------------------|----------|---------|
| Dry power frequency withstand voltage | kV | 585 |
| Wet power frequency withstand voltage | kV | 525 |
| Dry power frequency flashover voltage | kV | 615 |
| Wet power frequency flashover voltage | kV | 555 |
| Lightning impulse withstand voltage | kVp | 1300 |
| Impulse flash over voltage | kVp | 1410 |
| Min. creepage distance | inch 231 | mm 5868 |
| Net Weight (approx.) | kg | 143 |

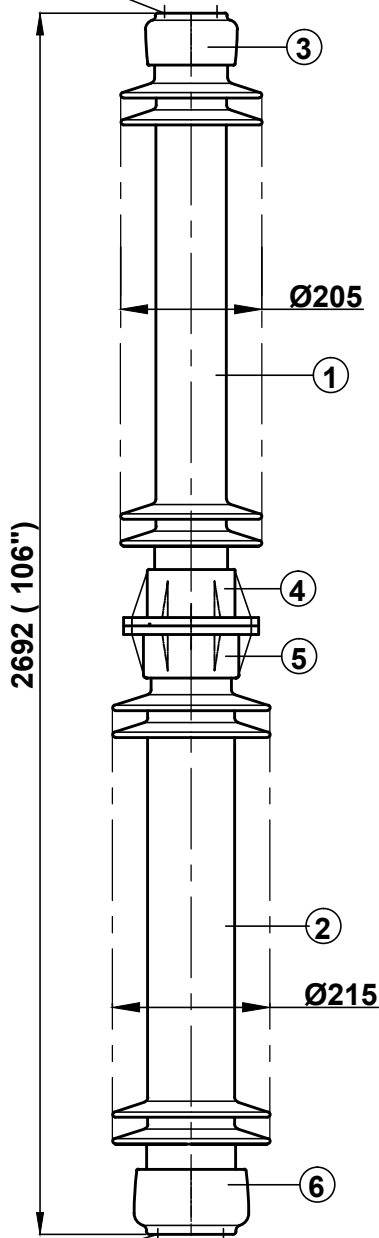
Shed profile as per IEC : 60815

RIV DATA

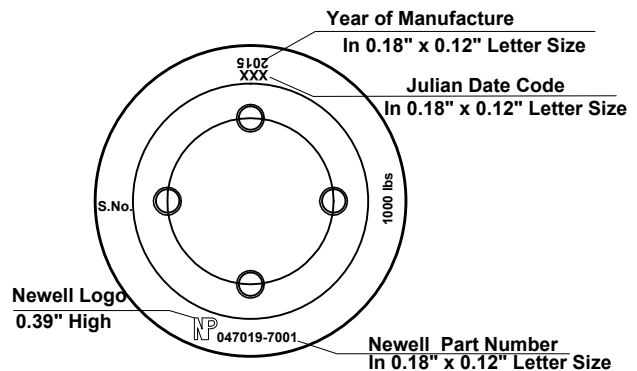
| | | |
|---------------------------------|----|------|
| Test voltage to ground | kv | 220 |
| Max. RIV Microvolts at 1000 kHz | µv | 1000 |

NOTE: -

Test & tolerance as per IS :2544 , 5350 & IEC :60168 ,
IEC :273 & ANSI :C29.9



4Holes5/8"-11UNC (0.015"Oversize)
X 0.866 deep on 5"P.C.D.



Marking on Top shed

| | | | |
|-------------|----------------|-----------|----------------|
| 3, 4, 5 & 6 | Caps & flanges | MCI / SGI | Hot dip galv . |
| 1, 2 | Insulator body | Porcelain | Grey Glaze |
| S.No. | DESCRIPTION | MATERIAL | REMARKS |

| | | | | | |
|-------|------------------------------------------------|-------|--------|-------|-----------|
| Title | STATION POST INSULATOR (BIL-1300 kv) | Scale | N.T.S. | Matl. | See table |
|-------|------------------------------------------------|-------|--------|-------|-----------|

| | | | |
|------|-------------------|----------|---------------|
| Ref. | 47019-7001 | Drawn | Kirti Nambiar |
| | | Checked | S.K.dixit |
| | | Approved | KR JC |

| | | |
|-------------------------------|------|------------|
| All dimension are in mm./inch | Date | 03-09-2010 |
|-------------------------------|------|------------|

| | | |
|-----------------------|------|---|
| NEWELL PSN LLC | Rev. | 1 |
|-----------------------|------|---|

Rev. - 1 on dt. - 24-10-2015
Design modified