

TECHNICAL PARTICULARS

MECHANICAL VALUES

Bending strength (Upright) lb	1200	kN	5.33
Compression strength lb	90000	kN	400
Tensile strength lb	25000	kN	111
Torsional strength in lb	90000	kNm	10.2

ELECTRICAL VALUES

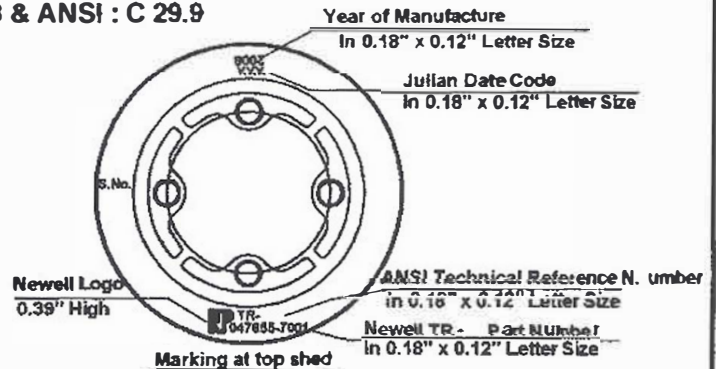
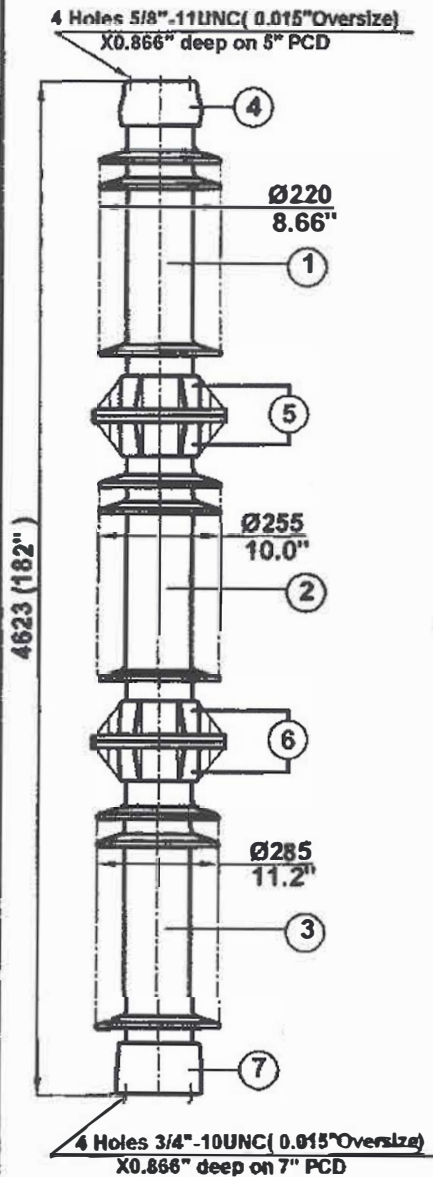
Dry power frequency withstand voltage	kV	915
Wet power frequency withstand voltage	kV	830
Dry power frequency flashover voltage	kV	985
Wet power frequency flashover voltage	kV	895
Lightning impulse withstand voltage	kVp	2050
Impulse flash over voltage	kVp	2420
Min. nominal creepage distance	inch 432	mm 10973
Shed profile as per IEC : 60815		

RADIO INFLUENCE VOLTAGE DATA

Test voltage to ground	kV	350
Max. RIV at 1000 kHz	µV	2000

NOTE: -

Test & tolerance as per IS :2544 , 5350 & IEC :60168 ,
273 & ANSI : C 29.9



4,5,6,&7	Caps & Flange	MC / SGI	Hot dip galv.
1,2 & 3	Insulator body	Al. porcelain	Grey glazed
S.No.	DESCRIPTION	MATERIAL	REMARKS
Title		Scale	Matl.
STATION POST INSULATOR (BIL - 2050 kV)		N.T.S.	See table
		Ref.	
47855-7001		Drawn	Kirti Nambiar
		Checked	<i>[Signature]</i>
		Approved	
All dimension are in mm.		Date	12-07-2008
NEWELL PSN LLC			Rev.
			0