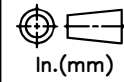


RELEASE HISTORY

a	DRAWING/DESIGN CREATED Rev.0	26.02.2016 HF
b	DRAWING REDRAWN Rev.1	25.03.2021 RVS



PART# 231001-7001

DRAWING NUMBER 4117AX

TITLE STATION POST INSULATOR-95kV BIL

REF. TECHNICAL REFERENCE TR-202

**TECHNICAL CHARACTERISTICS**

**MECHANICAL RATINGS**

CANTILEVER STRENGTH, lbs (kN) (Upright & Underhung)	2000 (8.9)
TENSION STRENGTH, lbs (kN)	5000 (31)
TORSION STRENGTH in-lbs (kN*M)	6000 (0.7)
COMPRESSION STRENGTH lbs (kN)	10000 (44.5)

**ELECTRICAL RATINGS**

IMPULSE WITHSTAND VOLTAGE, kV	95
CRITICAL IMPULSE FLASHOVER VOLTAGE, POSITIVE, kV	105
WET POWER FREQUENCY WITHSTAND VOLTAGE, kV	30

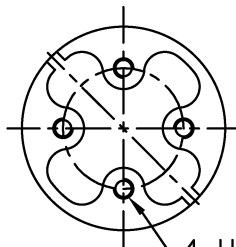
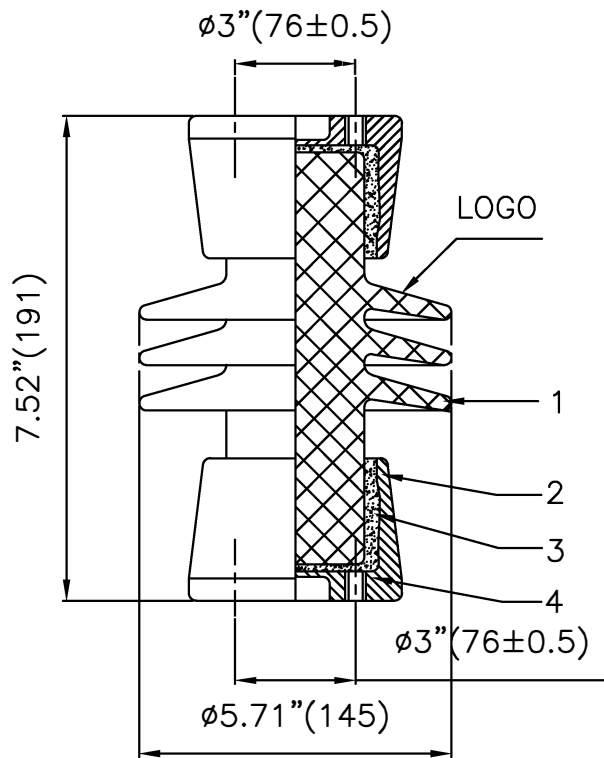
**RADIO INFLUENCE VOLTAGE RATINGS**

LOW FREQUENCY TEST VOLTAGE, kV	5
MAX. RIV AT 1000 kHz, μV	50

**PHYSICAL CHARACTERISTICS**

MINIMUM LEAKAGE DISTANCE, in (mm)	10.5 (267)
UNIT HEIGHT, in (mm)	7.5 (191)
NET WEIGHT, lbs (kg)	13.5 (6.14)
GLAZE COLOR	Light Gray

APPLICABLE STANDARD:ANSI:C29.9 & IEC:60168,273



4 Holes 1/2"-13UNC (0.015" Oversize)  
X 0.59" deep on 3" PCD

4	Cushion	2--4	Asphalt felt
3	Cement		-
2	Cap	2	M.C.I.Hot-galvanized
1	Porcelain	1	Grey Glazed
S.No.	DESCRIPTION	QUANTITY	REMARKS

REF. 4117AX	DWG.TYPE SALES	DWN. RVS	APP.
-------------	----------------	----------	------