

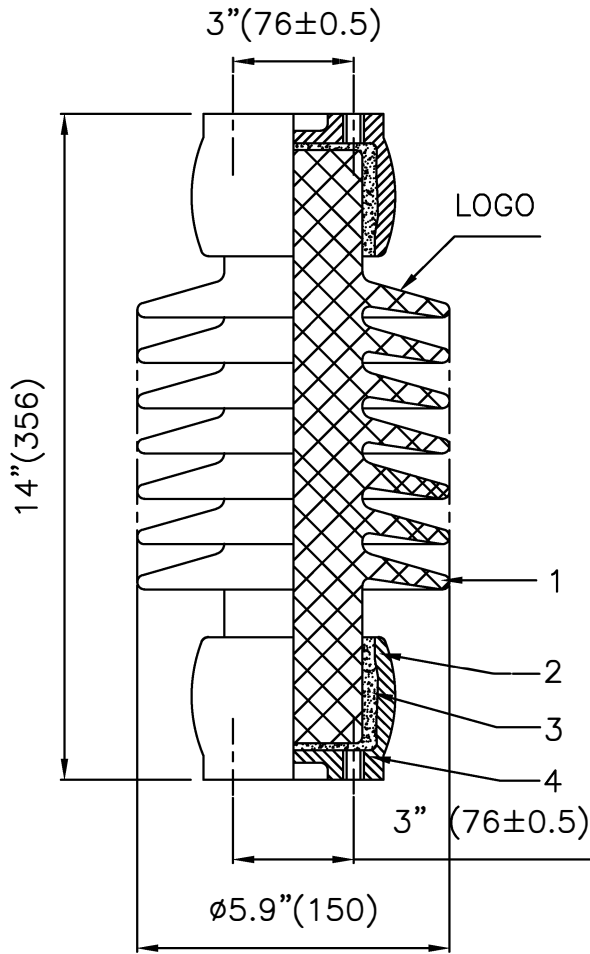
RELEASE HISTORY

a	DRAWING/DESIGN CREATED Rev.0	15.06.2015 SNR
b	DRAWING REDRAWN Rev.1	25.03.2021 RVS



 In.(mm)	PART# 231003-7001
	DRAWING NUMBER 4078AX
TITLE STATION POST INSULATOR-150kV BIL	

REF. TECHNICAL REFERENCE TR-208



TECHNICAL CHARACTERISTICS

MECHANICAL RATINGS

CANTILEVER STRENGTH, lbs (kN) (Upright & Underhung)	2000 (8.9)
TENSION STRENGTH, lbs (kN)	10000 (44.5)
TORSION STRENGTH in-lbs (kN*M)	8000 (0.9)
COMPRESSION STRENGTH lbs (kN)	10000 (44.5)

ELECTRICAL RATINGS

IMPULSE WITHSTAND VOLTAGE, kV	150
CRITICAL IMPULSE FLASHOVER VOLTAGE, POSITIVE, kV	170
WET POWER FREQUENCY WITHSTAND VOLTAGE, kV	60

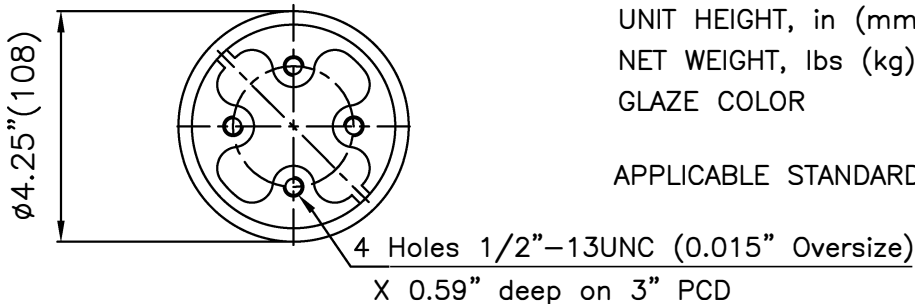
RADIO INFLUENCE VOLTAGE RATINGS

LOW FREQUENCY TEST VOLTAGE, kV	15
MAX. RIV AT 1000 kHz, μV	100

PHYSICAL CHARACTERISTICS

MINIMUM LEAKAGE DISTANCE, in (mm)	24 (610)
UNIT HEIGHT, in (mm)	14 (356)
NET WEIGHT, lbs (kg)	23 (10.45)
GLAZE COLOR	Light Gray

APPLICABLE STANDARD:ANSI:C29.9 & IEC:60168,273



4	Cushion	2--4	Asphalt felt
3	Cement		-
2	Cap	2	M.C.I.Hot-galvanized
1	Porcelain	1	Grey Glazed
S.No.	DESCRIPTION	QUANTITY	REMARKS

REF.	DWG.TYPE SALES	DWN. RVS	APP.
------	----------------	----------	------