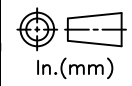


RELEASE HISTORY

a	DRAWING/DESIGN CREATED Rev.0	20.06.2002 DSS
b	DRAWING REDRAWN Rev.1	29.04.2021 RVS



PART# 2335310-7001
DRAWING NUMBER CY2.828.004

TITLE : SPOOL TYPE INSULATOR

REF. TECHNICAL REFERENCE # 53.1

TECHNICAL CHARACTERISTICS

MECHANICAL RATINGS

TRANSVERSE STRENGTH, lbs (kN) 2000 (8.9)

ELECTRICAL RATINGS

LOW FREQUENCY DRY FLASHOVER VOLTAGE, kV 20

LOW FREQUENCY WET FLASHOVER VOLTAGE, VERTICAL, kV 8

LOW FREQUENCY WET FLASHOVER VOLTAGE, HORIZONTAL, kV 10

PHYSICAL CHARACTERISTICS

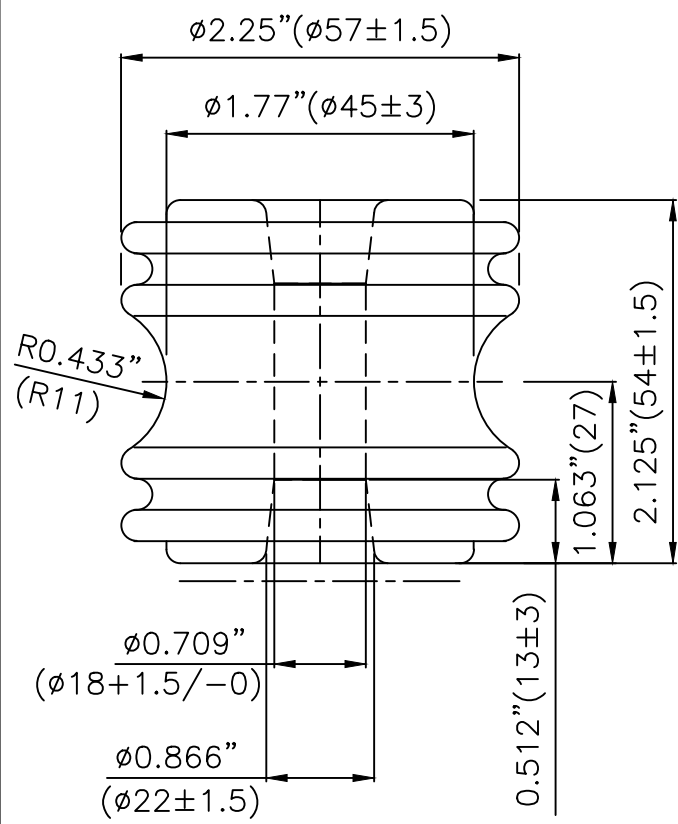
UNIT HEIGHT, in (mm) 2.125 (54)

UNIT DIAMETER, in (mm) 2.25 (57)

NET WEIGHT, lbs (kg) 0.5 (0.23)

GLAZE COLOR Light Gray

APPLICABLE STANDARD : ANSI C29.3



REF.CY2.828.004	DWG.TYPE SALES	DWN. RVS	APP.
-----------------	----------------	----------	------