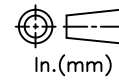


RELEASE HISTORY

a	DRAWING/DESIGN CREATED Rev.0	23.06.2016 DSS
b	DRAWING REDRAWN Rev.1	29.04.2021 RVS



In.(mm)

PART# 2335320-7001

DRAWING NUMBER CY2.828.002

TITLE : SPOOL TYPE INSULATOR

REF. TECHNICAL REFERENCE # 53.2

TECHNICAL CHARACTERISTICS

MECHANICAL RATINGS

TRANSVERSE STRENGTH, lbs (kN) 3000 (13.3)

ELECTRICAL RATINGS

LOW FREQUENCY DRY FLASHOVER VOLTAGE, kV 25

LOW FREQUENCY WET FLASHOVER VOLTAGE, VERTICAL, kV 12

LOW FREQUENCY WET FLASHOVER VOLTAGE, HORIZONTAL, kV 15

PHYSICAL CHARACTERISTICS

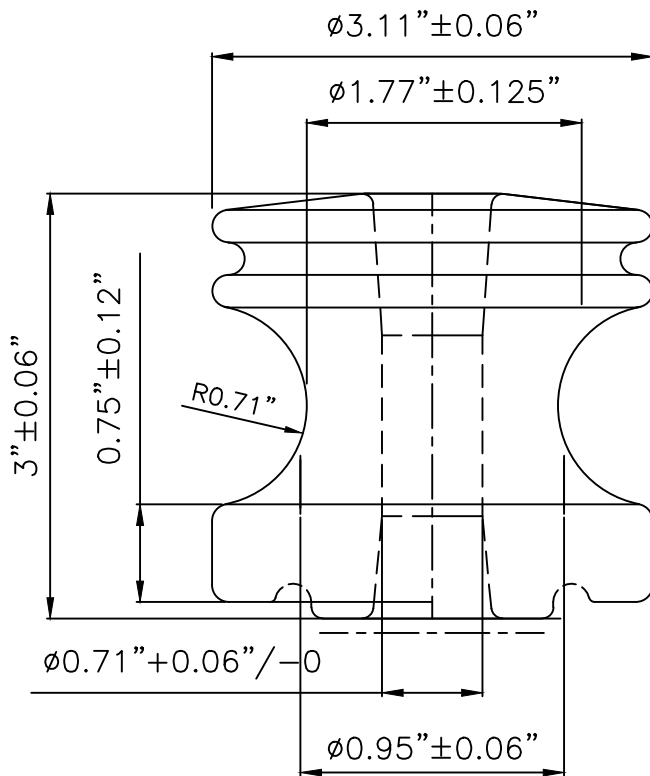
UNIT HEIGHT, in (mm) 3 (76)

UNIT DIAMETER, in (mm) 3.11 (79)

NET WEIGHT, lbs (kg) 1.15 (0.5)

GLAZE COLOR Light Gray

APPLICABLE STANDARD : ANSI C29.3



REF.CY2.828.002

DWG.TYPE SALES

DWN. RVS

APP.