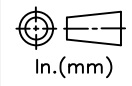


RELEASE HISTORY

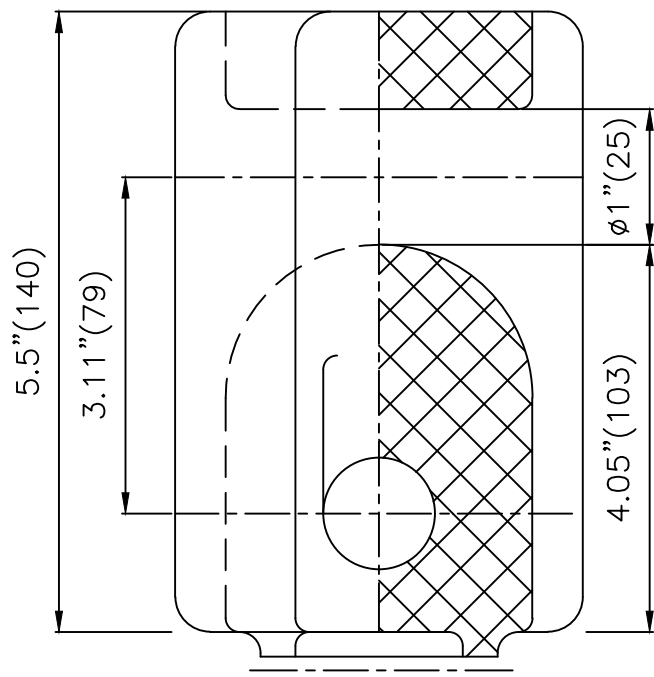
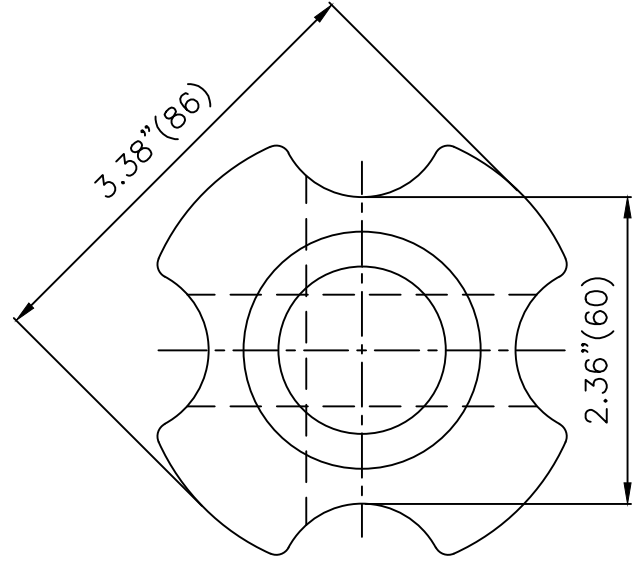
a	DRAWING/DESIGN CREATED Rev.0	21.04.2002 DSS
b	DRAWING REDRAWN Rev.1	03.05.2021 RVS



PART# 2345430-7001  
DRAWING NUMBER CY2.817.003

TITLE : STRAIN TYPE INSULATOR

REF. TECHNICAL REFERENCE # 54-3



**TECHNICAL CHARACTERISTICS**

**MECHANICAL RATINGS**

TENSILE STRENGTH, lbs (kN) 20000 (89)

**ELECTRICAL RATINGS**

LOW FREQUENCY DRY FLASHOVER VOLTAGE, kV 35

LOW FREQUENCY WET FLASHOVER VOLTAGE, kV 18

**PHYSICAL CHARACTERISTICS**

UNIT HEIGHT, in (mm) 5.5 (140)

UNIT DIAMETER, in (mm) 3.375 (86)

LEAKAGE DISTANCE, in (mm) 2.25 (57)

NET WEIGHT, lbs (kg) 3 (1.4)

GLAZE COLOR Light Gray

APPLICABLE STANDARD : ANSI C29.4


REF.CY2.817.003	DWG.TYPE SALES	DWN. RVS	APP.
-----------------	----------------	----------	------