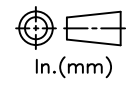


RELEASE HISTORY		
a	DRAWING/DESIGN CREATED Rev.0	08.07.2013 KN
b	DRAWING REDRAWN Rev.1	05.05.2021 RVS



PART# 2355510-7001
DRAWING NUMBER 3CY2-805-150

TITLE PIN TYPE INSULATOR

REF. ANSI TECHNICAL REFERENCE # 55-1

TECHNICAL CHARACTERISTICS

MECHANICAL RATINGS

CANTILEVER STRENGTH, lbs (kN) 3000 (13.34)

ELECTRICAL RATINGS

LOW FREQUENCY DRY FLASHOVER VOLTAGE, kV 35

LOW FREQUENCY WET FLASHOVER VOLTAGE, kV 20

CRITICAL IMPULSE FLASHOVER VOLTAGE, POSITIVE, kV 50

CRITICAL IMPULSE FLASHOVER VOLTAGE, NEGATIVE, kV 70

LOW FREQUENCY PUNCTURE VOLTAGE, kV 50

RADIO INFLUENCE VOLTAGE RATINGS

LOW FREQUENCY TEST VOLTAGE, kV 5

MAX. RIV AT 1000 kHz, μ V 50

PHYSICAL CHARACTERISTICS

LEAKAGE DISTANCE, in (mm) 4 (100)

DRY-ARCING DISTANCE, in (mm) 2.25 (57)

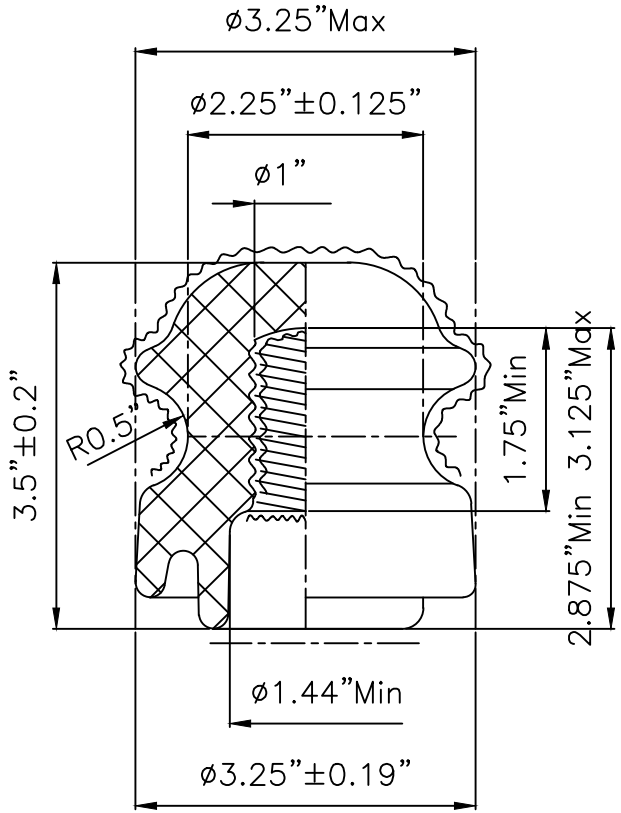
UNIT HEIGHT, in (mm) 3.5 (89)

UNIT DIAMETER, in (mm) 3.25 (83)

NET WEIGHT, lbs (kg) 1.35 (0.6)

GLAZE COLOR Light Gray

APPLICABLE STANDARD : ANSI C29.5



Note Light Grey glazed except surfaces marked-----left unglazed. Semi-conductive glaze applied on surfaces marked thus ~~~~~

REF.3CY2-805-150	DWG.TYPE SALES	DWN. RVS	APP.
------------------	----------------	----------	------