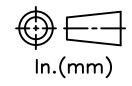
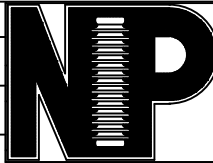


RELEASE HISTORY

|   |                              |                |
|---|------------------------------|----------------|
| a | DRAWING/DESIGN CREATED Rev.0 | 20.05.2007 KN  |
| b | DRAWING REDRAWN Rev.1        | 05.05.2021 RVS |



PART# 2355520-7001

DRAWING NUMBER 3CY2-805-074

TITLE PIN TYPE INSULATOR

REF. ANSI TECHNICAL REFERENCE # 55-2

**TECHNICAL CHARACTERISTICS**

**MECHANICAL RATINGS**

CANTILEVER STRENGTH, lbs (kN) 2500 (11)

**ELECTRICAL RATINGS**

LOW FREQUENCY DRY FLASHOVER VOLTAGE, kV 45

LOW FREQUENCY WET FLASHOVER VOLTAGE, kV 25

CRITICAL IMPULSE FLASHOVER VOLTAGE, POSITIVE, kV 70

CRITICAL IMPULSE FLASHOVER VOLTAGE, NEGATIVE, kV 85

LOW FREQUENCY PUNCTURE VOLTAGE, kV 70

**RADIO INFLUENCE VOLTAGE RATINGS**

LOW FREQUENCY TEST VOLTAGE, kV 5

MAX. RIV AT 1000 kHz,  $\mu$ V 50

**PHYSICAL CHARACTERISTICS**

LEAKAGE DISTANCE, in (mm) 5 (127)

DRY-ARCING DISTANCE, in (mm) 3.385 (86)

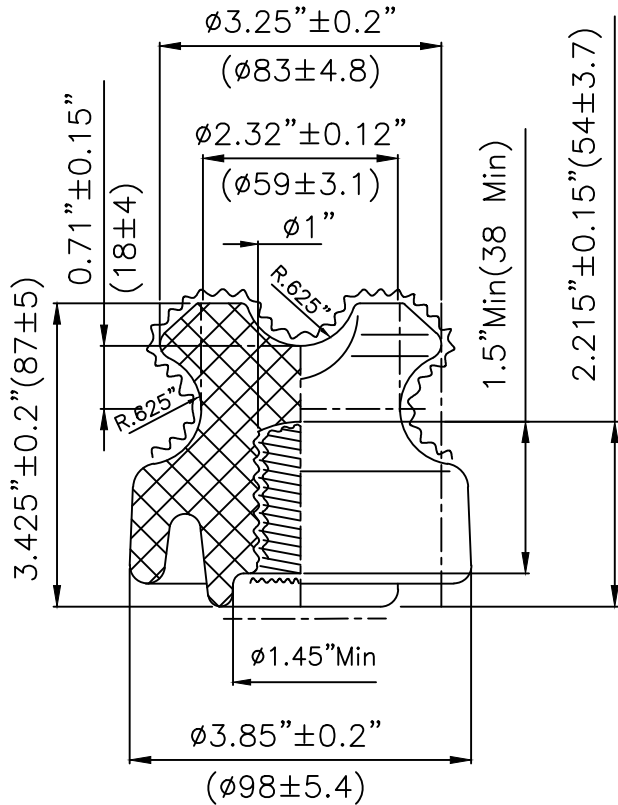
UNIT HEIGHT, in (mm) 3.425 (87)

UNIT DIAMETER, in (mm) 3.85 (98)

NET WEIGHT, lbs (kg) 1.5 (0.68)

GLAZE COLOR Light Gray

APPLICABLE STANDARD : ANSI C29.5



Note Light Grey glazed except surfaces marked-----left unglazed. Semi-conductive glaze applied on surfaces marked thus ~~~~~

|  |  |  |  |
|--|--|--|--|
|  |  |  |  |
|  |  |  |  |
|  |  |  |  |

|                  |                |          |      |
|------------------|----------------|----------|------|
| REF.3CY2-805-074 | DWG.TYPE SALES | DWN. RVS | APP. |
|------------------|----------------|----------|------|