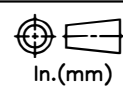


RELEASE HISTORY

a	DRAWING/DESIGN CREATED Rev.0	05.08.2003 SNR
b	DRAWING REDRAWN Rev.1	09.04.2021 RVS



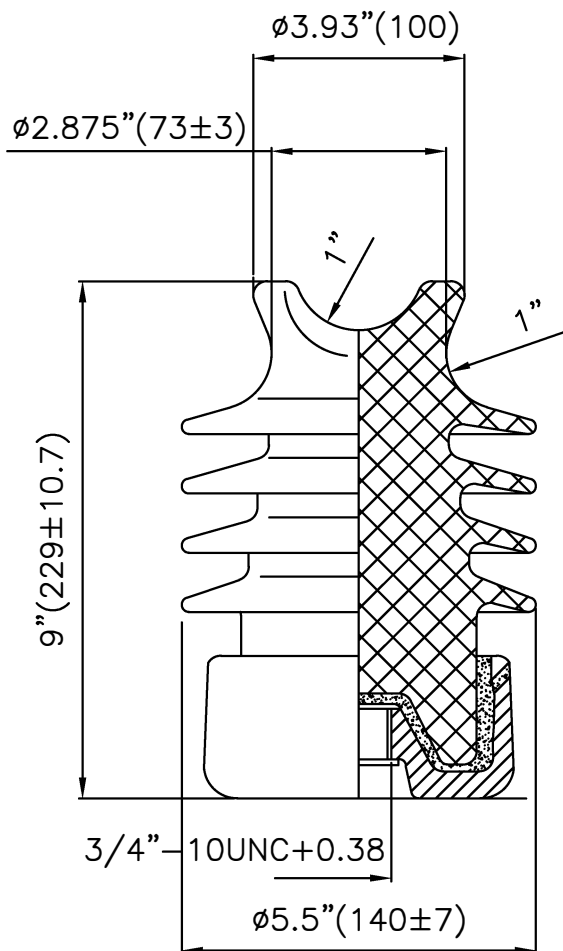
In.(mm)

PART# 37610-7001

DRAWING NUMBER 3CY2.807.036

TITLE F-NECK VERTICAL TIE-TOP LINE POST INSULATOR

REF. ANSI TECHNICAL REFERENCE # 57-1



**TECHNICAL CHARACTERISTICS**

**MECHANICAL RATINGS**

CANTILEVER STRENGTH, lbs (kN) 2800 (12.5)

**ELECTRICAL RATINGS**

CRITICAL IMPULSE FLASHOVER VOLTAGE, POSITIVE, kV 120

LOW FREQUENCY FLASHOVER VOLTAGE, DRY, kV 70

LOW FREQUENCY FLASHOVER VOLTAGE, WET, kV 50

**RADIO INFLUENCE VOLTAGE RATINGS**

LOW FREQUENCY TEST VOLTAGE, kV 15

MAX. RIV AT 1000 kHz, μV 100

**PHYSICAL CHARACTERISTICS**

MINIMUM LEAKAGE DISTANCE, in (mm) 14 (356)

DRY ARCING DISTANCE, in (mm) 6.5 (165)

NET WEIGHT, lbs (kg) 11 (5)

GLAZE COLOR Light Gray

APPLICABLE STANDARD : ANSI : C29.7

VISUAL AND DIMENSIONAL INSPECTION ACCORDING TO IEC 383

MATERIAL	PORCELAIN	REF.	DWG.TYPE SALES	DWN. RVS	APP.
----------	-----------	------	----------------	----------	------