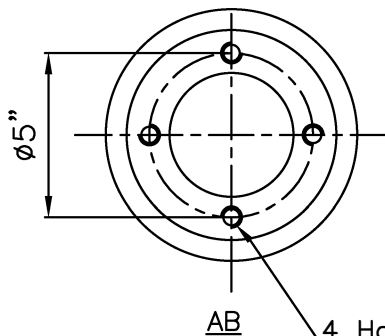
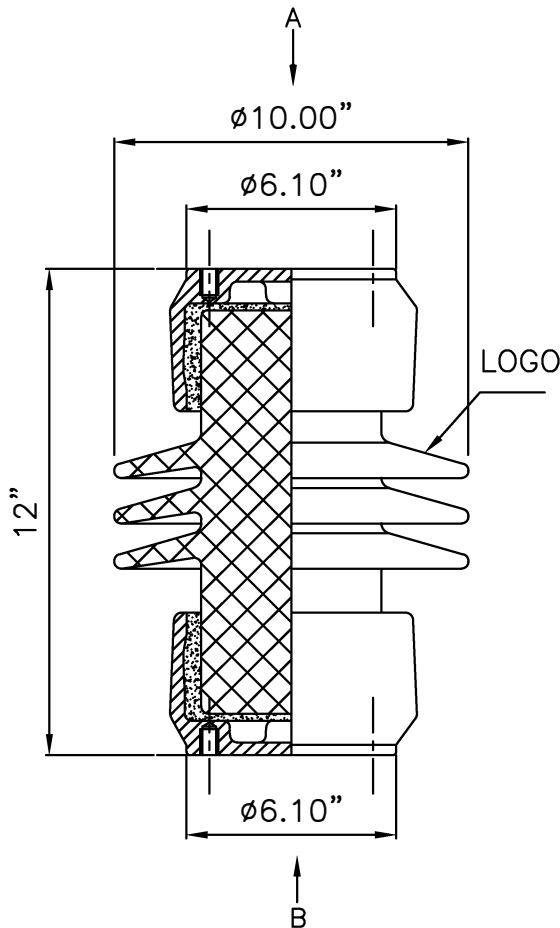


RELEASE HISTORY

a	DRAWING/DESIGN CREATED Rev. 0	26. 02.2016 SNR
b	DRAWING REDRAWN Rev. 1	27. 03. 202 RVS



 In.(mm)	PART# 41012-7001
	DRAWING NUMBER 4228A X
TITLE STATION POST INSULATOR-110KV BIL	
REF. TECHNICAL REFERENCE TR-235	



AB 4 Holes 5/8"-11UFS-2B AT 90° ON 5" B.C.
X 5/8" DEEP ON BOTH ENDS

TECHNICAL CHARACTERISTICS

MECHANICAL RATINGS

CANTILEVER STRENGTH, lbs (kN) (Upright & Underhung)	8000 (35.6)
TENSION STRENGTH, lbs (kN)	28000 (124.5)
TORSION STRENGTH in-lbs (kN*M)	40000 (4.5)
COMPRESSION STRENGTH lbs (kN)	40000 (177.9)

ELECTRICAL RATINGS

IMPULSE WITHSTAND VOLTAGE, kV	110
CRITICAL IMPULSE FLASHOVER VOLTAGE, POSITIVE, kV	125
WET POWER FREQUENCY WITHSTAND VOLTAGE, kV	45

RADIO INFLUENCE VOLTAGE RATINGS

LOW FREQUENCY TEST VOLTAGE, kV	10
MAX. RIV AT 1000 kHz, μV	50

PHYSICAL CHARACTERISTICS

MINIMUM LEAKAGE DISTANCE, in (mm)	15.5 (394)
UNIT HEIGHT, in (mm)	12 (305)
NET WEIGHT, lbs (kg)	38 (17.3)
GLAZE COLOR	Light Gray

APPLICABLE STANDARD: ANSI:C29.9 & C29.1

MATERIAL	PORCELAIN	REF.	DWG.TYPE SALES	DWN. RVS	APP.
----------	-----------	------	----------------	----------	------