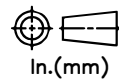


RELEASE HISTORY

a	DRAWING/DESIGN CREATED Rev.0	26.02.2016 SNR
b	DRAWING REDRAWN Rev.1	27.03.2021 RVS

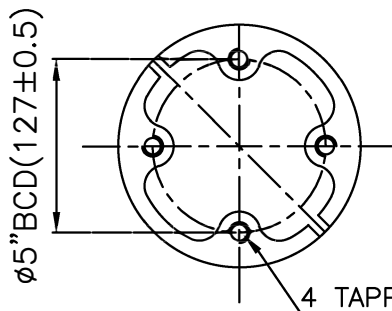
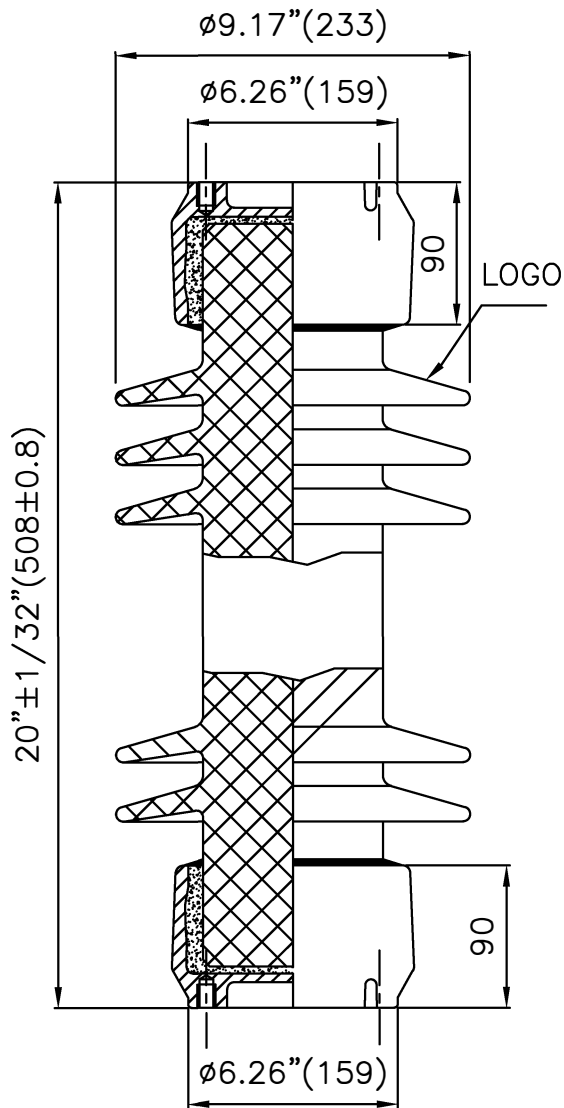


PART# 41020-7001

DRAWING NUMBER NP2350

TITLE STATION POST INSULATOR-200kV BIL

REF. TECHNICAL REFERENCE TR-241



TOP & BOTTOM INSTALLATION HOLES

**TECHNICAL CHARACTERISTICS**

**MECHANICAL RATINGS**

CANTILEVER STRENGTH, lbs (kN) (Upright & Underhung)	8000 (35.6)
TENSION STRENGTH, lbs (kN)	28000 (124.5)
TORSION STRENGTH in-lbs (kN*M)	40000 (4.5)
COMPRESSION STRENGTH lbs (kN)	40000 (177.9)

**ELECTRICAL RATINGS**

IMPULSE WITHSTAND VOLTAGE, kV	200
CRITICAL IMPULSE FLASHOVER VOLTAGE, POSITIVE, kV	225
WET POWER FREQUENCY WITHSTAND VOLTAGE, kV	80

**RADIO INFLUENCE VOLTAGE RATINGS**

LOW FREQUENCY TEST VOLTAGE, kV	22
MAX. RIV AT 1000 kHz, $\mu\text{V}$	100

**PHYSICAL CHARACTERISTICS**

MINIMUM LEAKAGE DISTANCE, in (mm)	37 (940)
UNIT HEIGHT, in (mm)	20 (508)
NET WEIGHT, lbs (kg)	79.5 (36.1)
GLAZE COLOR	Light Gray

APPLICABLE STANDARD : ANSI:C29.9

WEIGHT	77 LBS	REF.	DWG.TYPE SALES	DWN. RVS	APP.
--------	--------	------	----------------	----------	------