

RELEASE HISTORY

a	DRAWING/DESIGN CREATED Rev.0	30.03.2016 SNR
b	DRAWING REDRAWN Rev.1	18.04.2021 RVS



PART# 43730-7001

DRAWING NUMBER 3CY2.807.188

TITLE HORIZONTAL CLAMPTOP LINE POST INSULATOR-GAIN BASE

REF. ANSI TECHNICAL REFERENCE # 57-32

TECHNICAL CHARACTERISTICS

MECHANICAL RATINGS

CANTILEVER STRENGTH, lbs (kN) 2800 (12.5)

ELECTRICAL RATINGS

CRITICAL IMPULSE FLASHOVER VOLTAGE, POSITIVE, kV 180

LOW FREQUENCY FLASHOVER VOLTAGE, DRY, kV 110

LOW FREQUENCY FLASHOVER VOLTAGE, WET, kV 100

RADIO INFLUENCE VOLTAGE RATINGS

LOW FREQUENCY TEST VOLTAGE, kV 22

MAX. RIV AT 1000 kHz, μ V 100

PHYSICAL CHARACTERISTICS

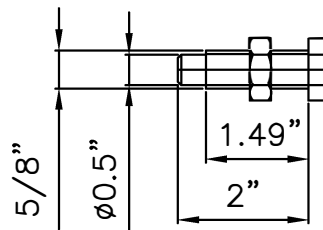
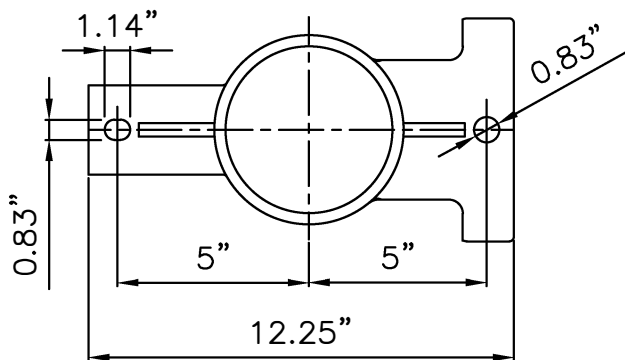
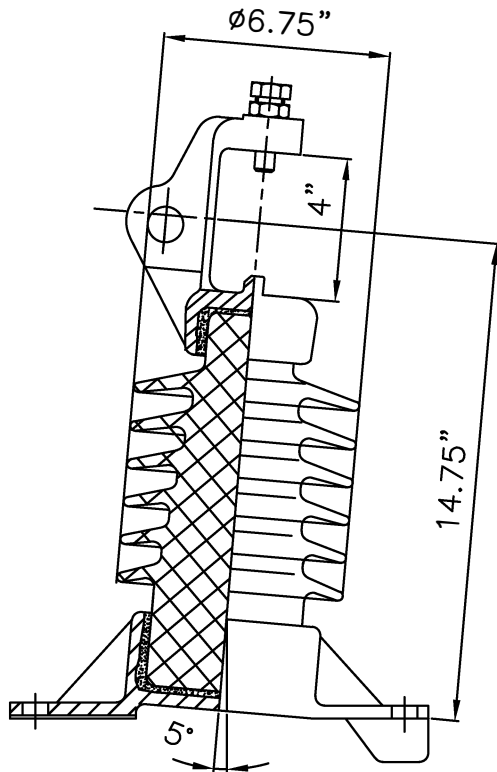
MINIMUM LEAKAGE DISTANCE, in (mm) 22 (559)

DRY ARCING DISTANCE, in (mm) 9.5 (241)

NET WEIGHT, lbs (kg) 28 (12.7)

GLAZE COLOR Light Gray

APPLICABLE STANDARD : ANSI : C29.7



VISUAL AND DIMENSIONAL INSPECTION ACCORDING TO IEC 383

MATERIAL	PORCELAIN	REF.	DWG.TYPE SALES	DWN. RVS	APP.
----------	-----------	------	----------------	----------	------