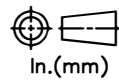


RELEASE HISTORY

a	DRAWING/DESIGN CREATED Rev.0	02.09.2016 SNR
b	DRAWING REDRAWN Rev.1	17.04.2021 RVS

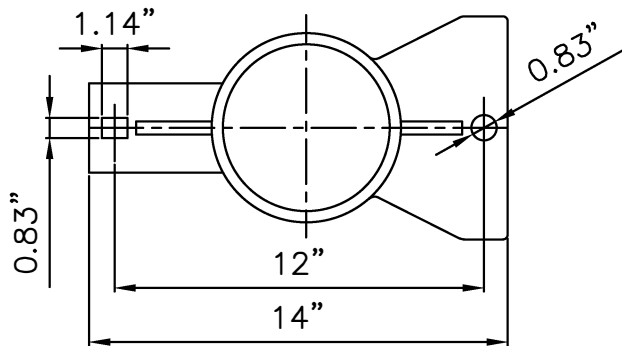
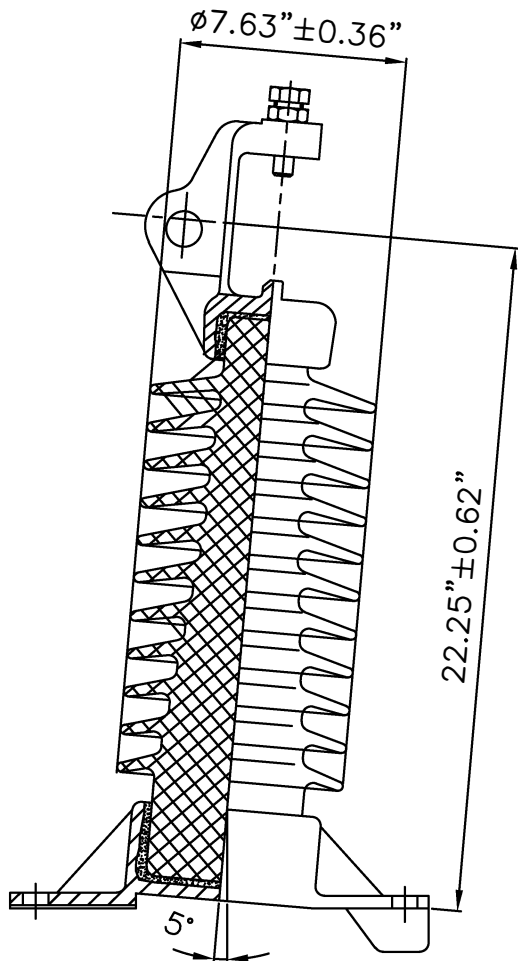


PART# 43770-7001

DRAWING NUMBER 3CY2.807.20 7

TITLE HORIZONTAL CLAMPTOP LINE POST INSULATOR-GAIN BASE

REF. ANSI TECHNICAL REFERENCE # 57-35



TECHNICAL CHARACTERISTICS

MECHANICAL RATINGS

CANTILEVER STRENGTH, lbs (kN) 2800 (12.5)

ELECTRICAL RATINGS

CRITICAL IMPULSE FLASHOVER VOLTAGE, POSITIVE, kV 290

LOW FREQUENCY FLASHOVER VOLTAGE, DRY, kV 175

LOW FREQUENCY FLASHOVER VOLTAGE, WET, kV 160

RADIO INFLUENCE VOLTAGE RATINGS

LOW FREQUENCY TEST VOLTAGE, kV 44

MAX. RIV AT 1000 kHz, μ V 200

PHYSICAL CHARACTERISTICS

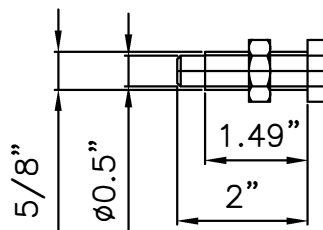
MINIMUM LEAKAGE DISTANCE, in (mm) 45 (1143)

DRY ARCING DISTANCE, in (mm) 17.25 (438)

NET WEIGHT, lbs (kg) 54 (24.5)

GLAZE COLOR Light Gray

APPLICABLE STANDARD : ANSI : C29.7



VISUAL AND DIMENSIONAL INSPECTION ACCORDING TO IEC 383

MATERIAL	PORCELAIN	REF.	DWG. TYPE SALES	DWN. RVS	APP.
----------	-----------	------	-----------------	----------	------