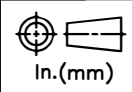


RELEASE HISTORY

| | | |
|---|------------------------------|----------------|
| a | DRAWING/DESIGN CREATED Rev.0 | 02.09.2016 SNR |
| b | DRAWING REDRAWN Rev.1 | 17.04.2021 RVS |

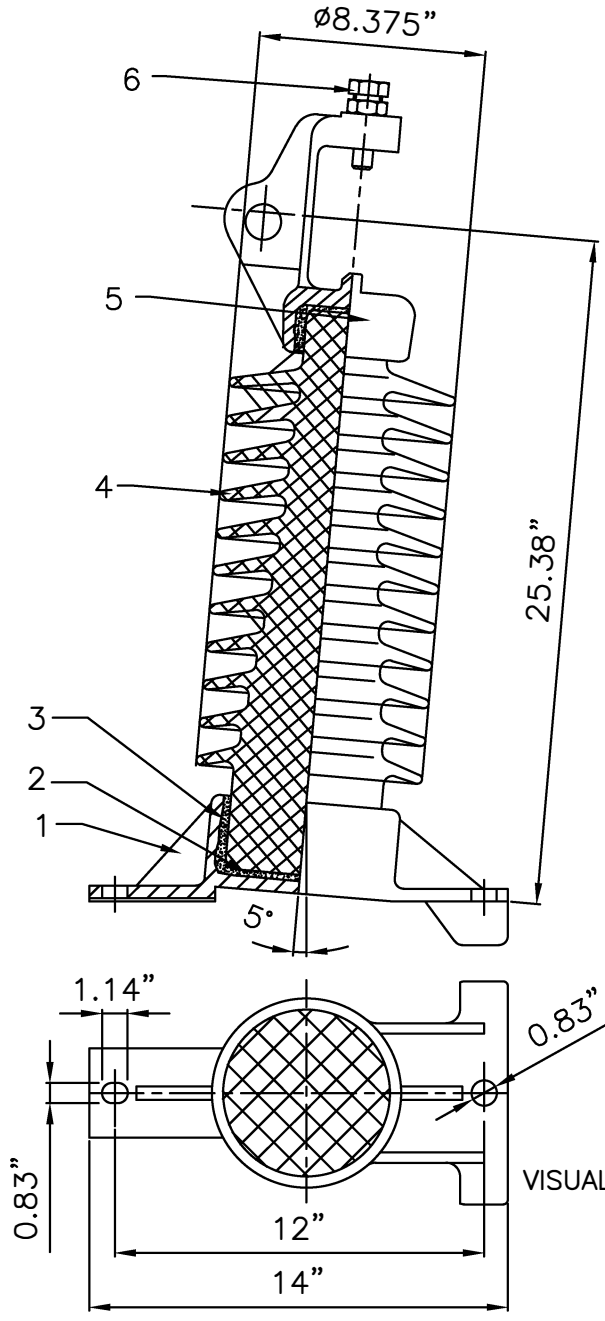


PART# 43790-7001

DRAWING NUMBER 3CY2.807.208

TITLE HORIZONTAL CLAMPTOP LINE POST INSULATOR-GAIN BASE

REF. ANSI TECHNICAL REFERENCE # 57-36



TECHNICAL CHARACTERISTICS

MECHANICAL RATINGS

CANTILEVER STRENGTH, lbs (kN) 2800 (12.5)

ELECTRICAL RATINGS

CRITICAL IMPULSE FLASHOVER VOLTAGE, POSITIVE, kV 330
 LOW FREQUENCY FLASHOVER VOLTAGE, DRY, kV 180
 LOW FREQUENCY FLASHOVER VOLTAGE, WET, kV 100

RADIO INFLUENCE VOLTAGE RATINGS

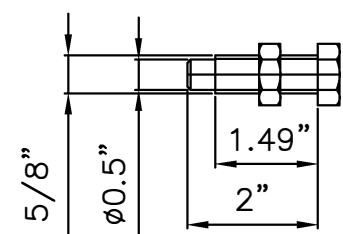
LOW FREQUENCY TEST VOLTAGE, kV 44
 MAX. RIV AT 1000 kHz, μV 200

PHYSICAL CHARACTERISTICS

MINIMUM LEAKAGE DISTANCE, in (mm) 53 (1346)
 DRY ARCING DISTANCE, in (mm) 19.25 (489)
 NET WEIGHT, lbs (kg) 66 (30)
 GLAZE COLOR Light Gray

APPLICABLE STANDARD : ANSI : C29.7

VISUAL AND DIMENSIONAL INSPECTION ACCORDING TO IEC:383



| 6 | BRAKE | 1 | Q235 |
|-------|-------------|----------|----------|
| 5 | FITTING | 1 | QT450-10 |
| 4 | PORCELAIN | 1 | IV |
| 3 | CEMENT | | - |
| 2 | CORK | 1 | - |
| 1 | FITTING | 1 | QT450-10 |
| S.No. | DESCRIPTION | QUANTITY | MATERIAL |

| | | | |
|------|----------------|----------|------|
| REF. | DWG.TYPE SALES | DWN. RVS | APP. |
|------|----------------|----------|------|