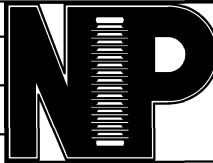


RELEASE HISTORY

a	DRAWING/DESIGN CREATED Rev.0	02.04.2015 SNR
b	DRAWING REDRAWN Rev.1	18.04.2021 RVS



 In.(mm)	PART# 43820-7001
	DRAWING NUMBER 3CY2.807.187
TITLE HORIZONTAL CLAMPTOP LINE POST INSULATOR-GAIN BASE	

REF. ANSI TECHNICAL REFERENCE # 57-31

TECHNICAL CHARACTERISTICS

MECHANICAL RATINGS

CANTILEVER STRENGTH, lbs (kN) 2800 (12.5)

ELECTRICAL RATINGS

CRITICAL IMPULSE FLASHOVER VOLTAGE, POSITIVE, kV 130
 LOW FREQUENCY FLASHOVER VOLTAGE, DRY, kV 80
 LOW FREQUENCY FLASHOVER VOLTAGE, WET, kV 70

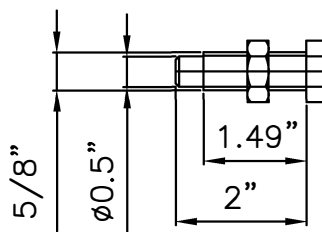
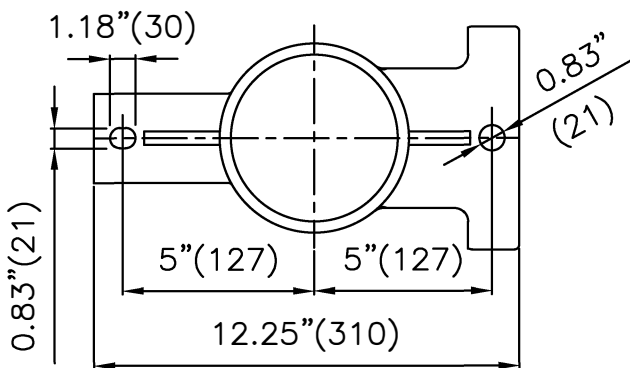
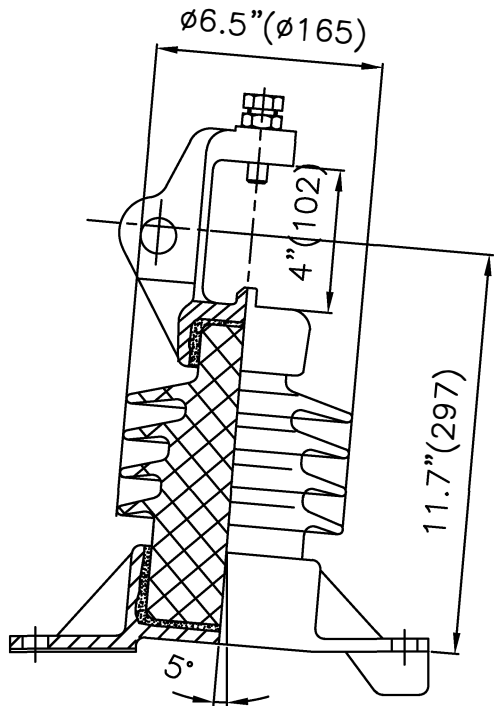
RADIO INFLUENCE VOLTAGE RATINGS

LOW FREQUENCY TEST VOLTAGE, kV 15
 MAX. RIV AT 1000 kHz, μV 100

PHYSICAL CHARACTERISTICS

MINIMUM LEAKAGE DISTANCE, in (mm) 14 (356)
 DRY ARCING DISTANCE, in (mm) 6.5 (165)
 NET WEIGHT, lbs (kg) 23 (10.5)
 GLAZE COLOR Light Gray

APPLICABLE STANDARD : ANSI : C29.7



VISUAL AND DIMENSIONAL INSPECTION ACCORDING TO IEC 383

MATERIAL	PORCELAIN	REF.	DWG. TYPE SALES	DWN. RVS	APP.
----------	-----------	------	-----------------	----------	------