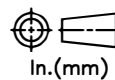


RELEASE HISTORY

a	DRAWING/DESIGN CREATED Rev.0	23.02.2012 SNR
b	DRAWING REDRAWN Rev.1	09.04.2021 RVS



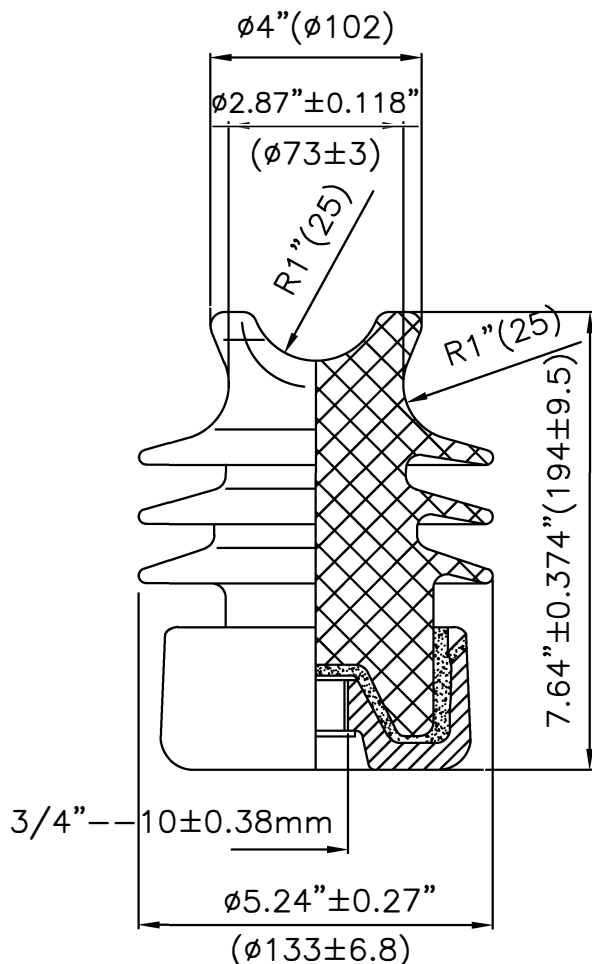
In.(mm)

PART# 47102-7001

DRAWING NUMBER 3CY2.807.103

TITLE F-NECK LINE POST INSULATOR

REF. ANSI TECHNICAL REFERENCE



**TECHNICAL CHARACTERISTICS**

**MECHANICAL RATINGS**

CANTILEVER STRENGTH, lbs (kN) 2800 (12.5)

**ELECTRICAL RATINGS**

CRITICAL IMPULSE FLASHOVER VOLTAGE, POSITIVE, kV 100  
 LOW FREQUENCY FLASHOVER VOLTAGE, DRY, kV 70  
 LOW FREQUENCY FLASHOVER VOLTAGE, WET, kV 50

**RADIO INFLUENCE VOLTAGE RATINGS**

LOW FREQUENCY TEST VOLTAGE, kV 10  
 MAX. RIV AT 1000 kHz,  $\mu\text{V}$  50

**PHYSICAL CHARACTERISTICS**

MINIMUM LEAKAGE DISTANCE, in (mm) 10 (254)  
 DRY ARCING DISTANCE, in (mm) 5 (127)  
 NET WEIGHT, lbs (kg) 8.8 (4)  
 GLAZE COLOR Light Gray

APPLICABLE STANDARD : ANSI : C29.7

VISUAL AND DIMENSIONAL INSPECTION ACCORDING TO IEC 383

MATERIAL	PORCELAIN	REF.	DWG.TYPE SALES	DWN. RVS	APP.
----------	-----------	------	----------------	----------	------