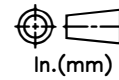


RELEASE HISTORY

a	DRAWING/DESIGN CREATED Rev.0	26.11.2004 PG
b	DRAWING REDRAWN Rev.1	27.04.2021 RVS



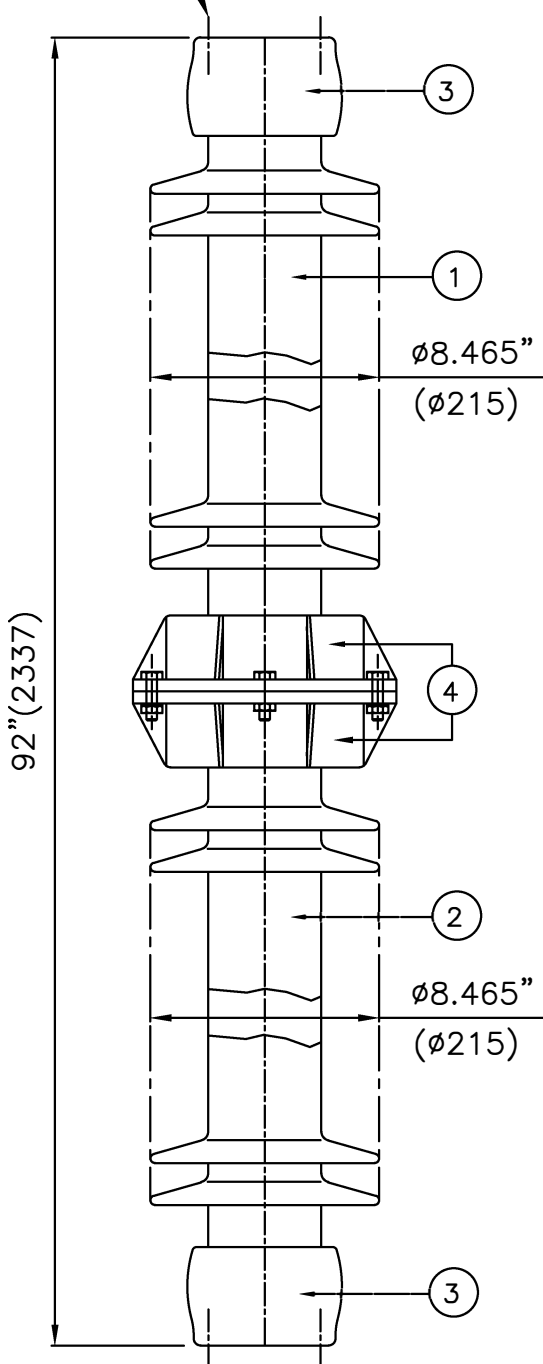
PART# 47807-7001

DRAWING NUMBER 212-C-1127

TITLE STATION POST INSULATOR-1050kV BIL

REF. TECHNICAL REFERENCE TR-312

4 Holes 5/8"-11UNC (0.015" Oversize)
X 0.866 deep on 5" PCD



4 Holes 5/8"-11UNC (0.015" Oversize)
X 0.866" deep on 5" PCD

TECHNICAL CHARACTERISTICS

MECHANICAL RATINGS

CANTILEVER STRENGTH, lbs (kN) (Upright & Underhung)	800 (3.6)
TENSION STRENGTH, lbs (kN)	20000 (89)
TORSION STRENGTH in-lbs (kN*M)	40000 (4.52)
COMPRESSION STRENGTH lbs (kN)	60000 (267)

ELECTRICAL RATINGS

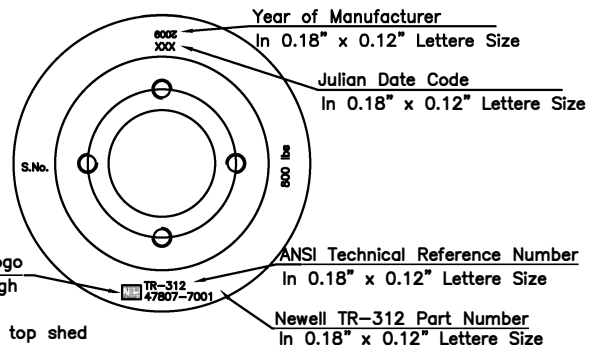
IMPULSE WITHSTAND VOLTAGE, kV	1050
CRITICAL IMPULSE FLASHOVER VOLTAGE, POSITIVE, kV	1210
WET POWER FREQUENCY WITHSTAND VOLTAGE, kV	455

RADIO INFLUENCE VOLTAGE RATINGS

LOW FREQUENCY TEST VOLTAGE, kV	146
MAX. RIV AT 1000 kHz, μV	500

PHYSICAL CHARACTERISTICS

MINIMUM LEAKAGE DISTANCE, in (mm)	198 (5030)
UNIT HEIGHT, in (mm)	92 (2337)
NET WEIGHT, lbs (kg)	419 (190)
GLAZE COLOR	Light Gray
APPLICABLE STANDARD:ANSI:C29.9 & IEC:60168,273 & IS:2544, 5350	



3 & 4	Cap & Flange	MCI/SGI	Hot dip.galv.
1, 2	Insulator body	Al.Porcelain	Grey Glazed
S.No.	DESCRIPTION	MATERIAL	REMARKS

REF.212-C-1127	DWG.TYPE SALES	DWN. RVS	APP.
----------------	----------------	----------	------