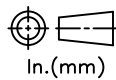


RELEASE HISTORY

a	DRAWING/DESIGN CREATED Rev.0	07.03.2009 KN
b	DRAWING REDRAWN Rev.1	09.05.2021 RVS



PART# 47833-7001

DRAWING NUMBER 212-C-1273

TITLE STATION POST INSULATOR-1470kV BIL

REF. TECHNICAL REFERENCE # TR-330

TECHNICAL CHARACTERISTICS

MECHANICAL RATINGS

CANTILEVER STRENGTH, lbs (kN) (Upright & Underhung)	900 (4.00)
TENSION STRENGTH, lbs (kN)	25000 (111)
TORSION STRENGTH in-lbs (kN*M)	90000 (10.2)
COMPRESSION STRENGTH lbs (kN)	90000 (400)

ELECTRICAL RATINGS

IMPULSE WITHSTAND VOLTAGE, kV	1470
CRITICAL IMPULSE FLASHOVER VOLTAGE, POSITIVE, kV	1610
WET POWER FREQUENCY WITHSTAND VOLTAGE, kV	590

RADIO INFLUENCE VOLTAGE RATINGS

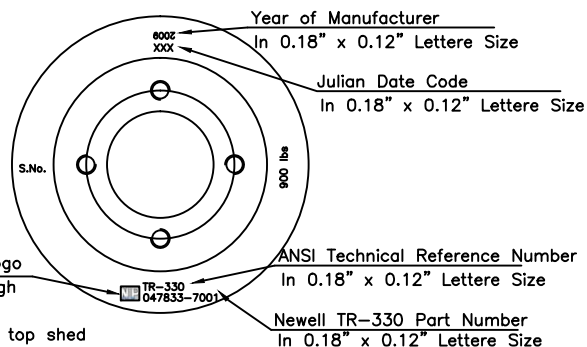
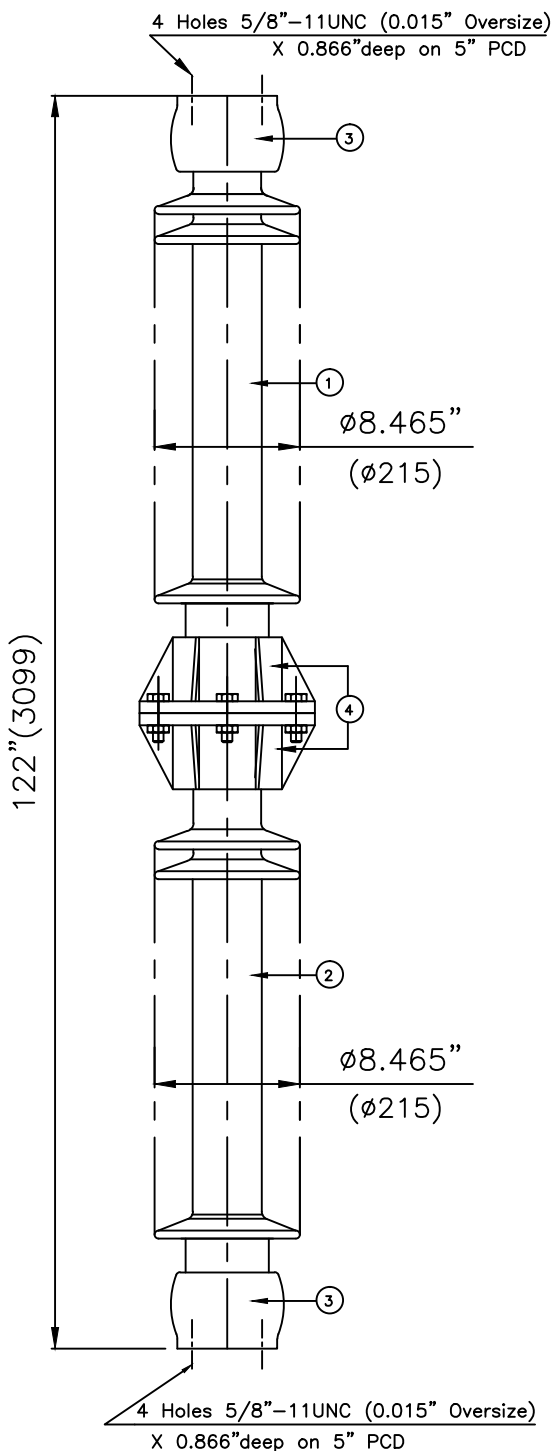
LOW FREQUENCY TEST VOLTAGE, kV	220
MAX. RIV AT 1000 kHz, μ V	1000

PHYSICAL CHARACTERISTICS

MINIMUM LEAKAGE DISTANCE, in (mm)	264 (6706)
UNIT HEIGHT, in (mm)	122 (3099)
NET WEIGHT, lbs (kg)	530 (241)
GLAZE COLOR	Light Gray

APPLICABLE STANDARD: ANSI: C29.9 & C29.1

IEC:60168,273 & IS:2544, 5350



2 & 3	Caps & Flange	SGI	Hot dip.galv.
1	Insulator body	Porcelain	Grey Glazed
S.No.	DESCRIPTION	MATERIAL	REMARKS

REF.212-C-1273	DWG.TYPE SALES	DWN. RVS	APP.
----------------	----------------	----------	------