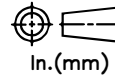


RELEASE HISTORY

a	DRAWING/DESIGN CREATED Rev.0	02.01.2007 KN
b	DRAWING REDRAWN Rev.1	22.04.2021 RVS



PART# 47840-7001

DRAWING NUMBER 212-C-1217

TITLE STATION POST INSULATOR-1550kV BIL

REF. TECHNICAL REFERENCE # TR-379

TECHNICAL CHARACTERISTICS

MECHANICAL RATINGS

CANTILEVER STRENGTH, lbs (kN) (Upright Only)	1700 (7.56)
TENSION STRENGTH, lbs (kN)	20000 (89)
TORSION STRENGTH in-lbs (kN*M)	60000 (6.8)
COMPRESSION STRENGTH lbs (kN)	60000 (267)

ELECTRICAL RATINGS

IMPULSE WITHSTAND VOLTAGE, kV	1550
CRITICAL IMPULSE FLASHOVER VOLTAGE, POSITIVE, kV	1710
WET POWER FREQUENCY WITHSTAND VOLTAGE, kV	620

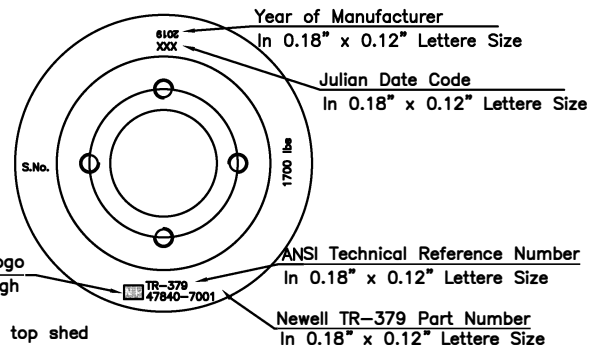
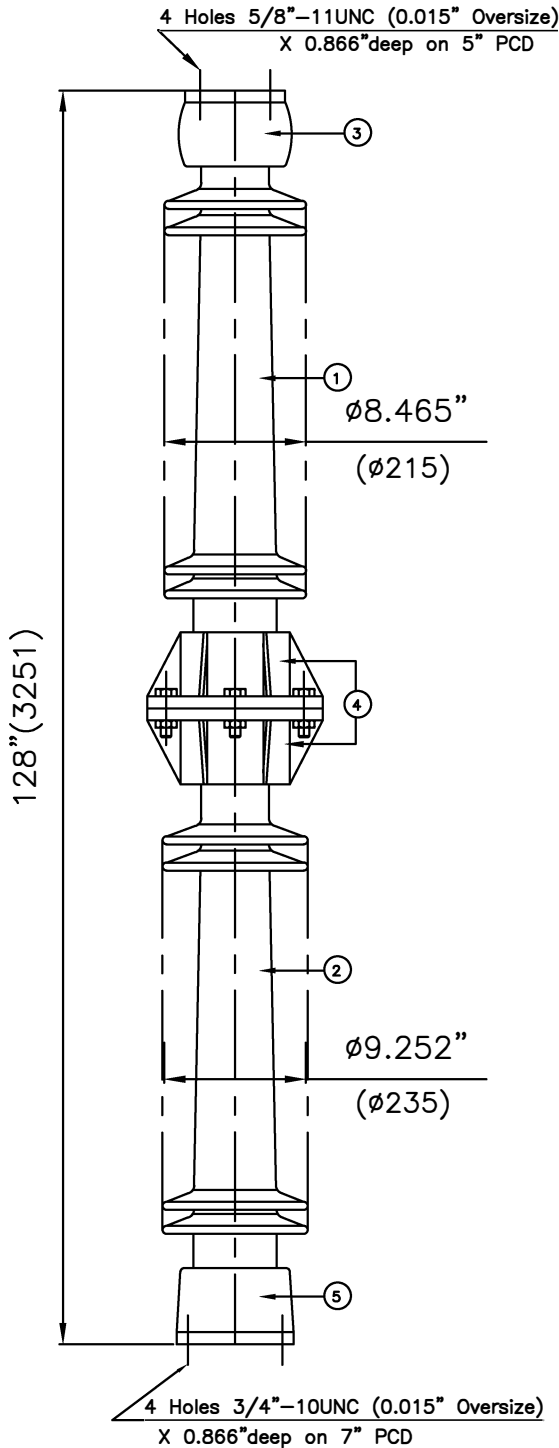
RADIO INFLUENCE VOLTAGE RATINGS

LOW FREQUENCY TEST VOLTAGE, kV	318
MAX. RIV AT 1000 kHz, μ V	2000

PHYSICAL CHARACTERISTICS

MINIMUM LEAKAGE DISTANCE, in (mm)	280 (7112)
UNIT HEIGHT, in (mm)	128 (3251)
NET WEIGHT, lbs (kg)	470 (213)
GLAZE COLOR	Light Gray

APPLICABLE STANDARD : ANSI : C29.9 & C29.1



3,4 & 5	Caps & Flange	MCI/SGI	Hot dip.galv.
1,2	Insulator body	Porcelain	Grey Glazed
S.No.	DESCRIPTION	MATERIAL	REMARKS

REF.212-C-1217	DWG.TYPE SALES	DWN. RVS	APP.
----------------	----------------	----------	------