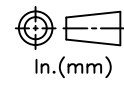
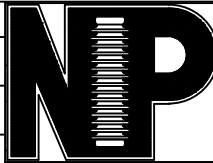


RELEASE HISTORY

a	DRAWING/DESIGN CREATED Rev.0	03.05.2006 KN
b	DRAWING REDRAWN Rev.1	13.05.2021 RVS

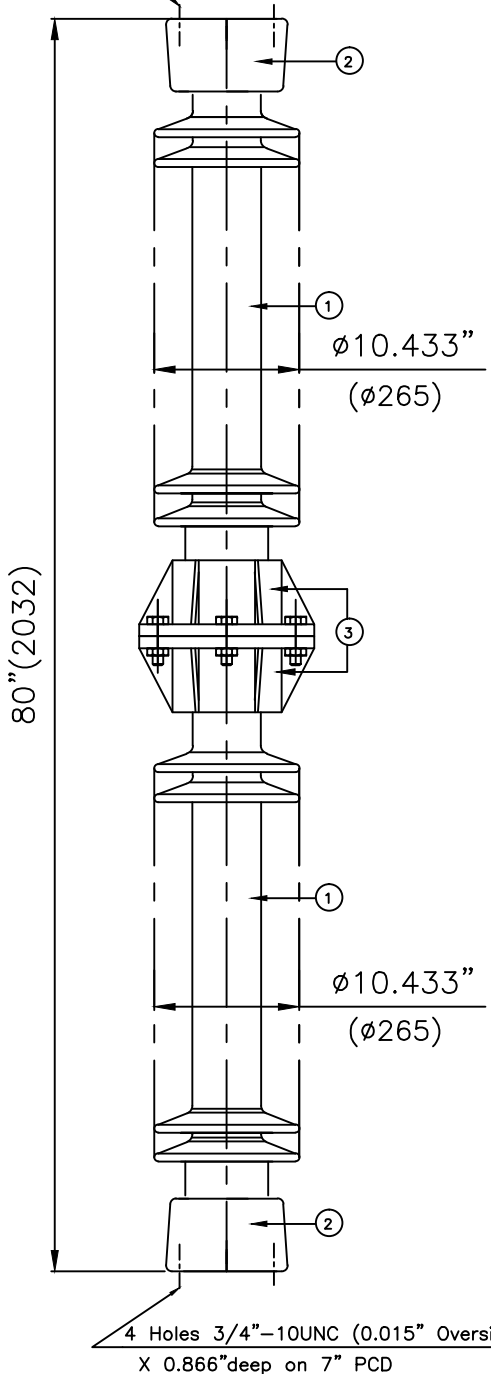


PART# 47845-7001
DRAWING NUMBER 212-C-1199

TITLE STATION POST INSULATOR-900kV BIL

REF. TECHNICAL REFERENCE # TR-

4 Holes 3/4"-10UNC (0.015" Oversize)
X 0.866" deep on 7" PCD



TECHNICAL CHARACTERISTICS

MECHANICAL RATINGS

CANTILEVER STRENGTH, lbs (kN)	2750 (12.23)
(Upright & Underhung)	
TENSION STRENGTH, lbs (kN)	40000 (178)
TORSION STRENGTH in-lbs (kN*M)	120000 (13.56)
COMPRESSION STRENGTH lbs (kN)	120000 (534)

ELECTRICAL RATINGS

IMPULSE WITHSTAND VOLTAGE, kV	900
CRITICAL IMPULSE FLASHOVER VOLTAGE, POSITIVE, kV	1010
WET POWER FREQUENCY WITHSTAND VOLTAGE, kV	385

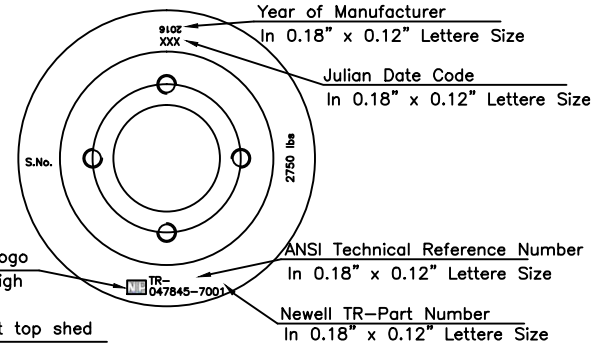
RADIO INFLUENCE VOLTAGE RATINGS

LOW FREQUENCY TEST VOLTAGE, kV	146
MAX. RIV AT 1000 kHz, uV	500

PHYSICAL CHARACTERISTICS

MINIMUM LEAKAGE DISTANCE, in (mm)	165 (4191)
UNIT HEIGHT, in (mm)	80 (2032)
NET WEIGHT, lbs (kg)	427 (194)
GLAZE COLOR	Light Gray

APPLICABLE STANDARD:ANSI: C29.9 & C29.1
IEC:60168,273 & IS:2544, 5350



2 & 3	Caps & Flange	MCI/SGI	Hot dip.galv.
1	Insulator body	Porcelain	Grey Glazed
S.No.	DESCRIPTION	MATERIAL	REMARKS

REF.212-C-1199	DWG.TYPE SALES	DWN. RVS	APP.
----------------	----------------	----------	------