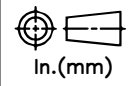


RELEASE HISTORY

a	DRAWING/DESIGN CREATED Rev.0	16.03.2010 KN
b	DRAWING REDRAWN Rev.1	22.04.2021 RVS



PART# 47848-7001
DRAWING NUMBER 212-C-1602

TITLE STATION POST INSULATOR-1470KV BIL

REF. TECHNICAL REFERENCE # TR-373

TECHNICAL CHARACTERISTICS

MECHANICAL RATINGS

CANTILEVER STRENGTH, lbs (kN) (Upright Only)	1750 (7.8)
TENSION STRENGTH, lbs (kN)	20000 (89)
TORSION STRENGTH in-lbs (kN*M)	60000 (6.8)
COMPRESSION STRENGTH lbs (kN)	60000 (267)

ELECTRICAL RATINGS

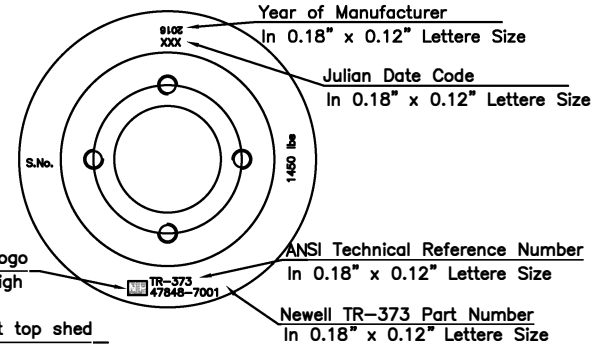
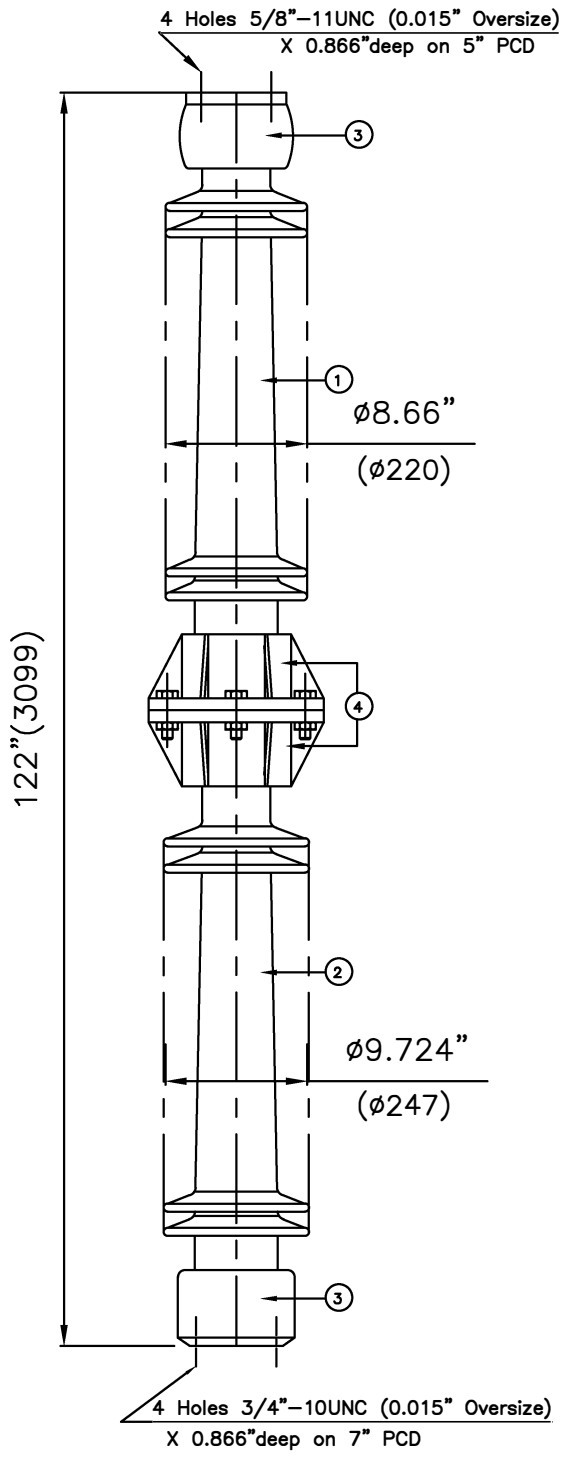
IMPULSE WITHSTAND VOLTAGE, kV	1470
CRITICAL IMPULSE FLASHOVER VOLTAGE, POSITIVE, kV	1610
WET POWER FREQUENCY WITHSTAND VOLTAGE, kV	590

RADIO INFLUENCE VOLTAGE RATINGS

LOW FREQUENCY TEST VOLTAGE, kV	220
MAX. RIV AT 1000 kHz, μ V	1000

PHYSICAL CHARACTERISTICS

MINIMUM LEAKAGE DISTANCE, in (mm)	264 (6706)
UNIT HEIGHT, in (mm)	122 (3099)
NET WEIGHT, lbs (kg)	575 (261)
GLAZE COLOR	Light Gray
APPLICABLE STANDARD:ANSI:C29.9 & IEC:60168,273 & IS:2544, 5350	



3 & 4	Caps & Flange	MCI/SGI	Hot dip.galv.
1, 2	Insulator body	Al.Porcelain	Grey Glazed
S.No.	DESCRIPTION	MATERIAL	REMARKS

REF.212-C-1602	DWG.TYPE SALES	DWN. RVS	APP.
----------------	----------------	----------	------