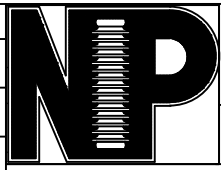
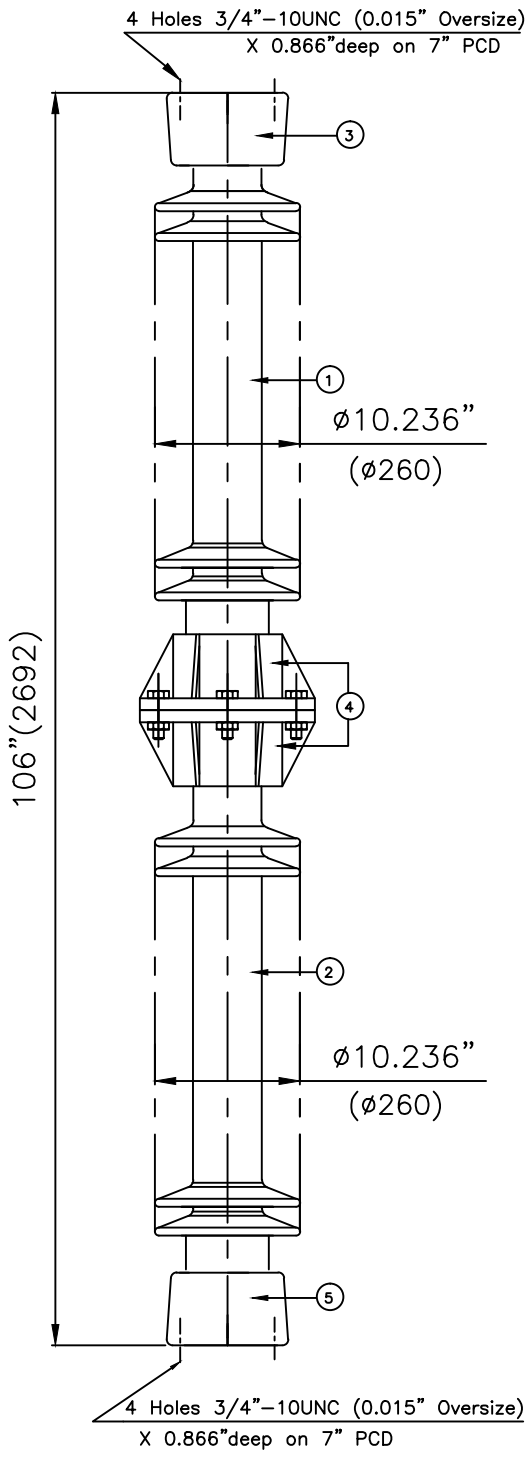


RELEASE HISTORY		
a	DRAWING/DESIGN CREATED Rev.0	24.05.2008 PG
b	DRAWING REDRAWN Rev.1	09.05.2021 RVS



 In.(mm)	PART# 47851-7001
	DRAWING NUMBER 212-C-1555
TITLE STATION POST INSULATOR-1300kV BIL	
REF. TECHNICAL REFERENCE # TR-368	



TECHNICAL CHARACTERISTICS

MECHANICAL RATINGS

CANTILEVER STRENGTH, lbs (kN)	2050 (9.12)
(Upright & Underhung)	
TENSION STRENGTH, lbs (kN)	40000 (178)
TORSION STRENGTH in-lbs (kN*M)	120000 (13.56)
COMPRESSION STRENGTH lbs (kN)	120000 (534)

ELECTRICAL RATINGS

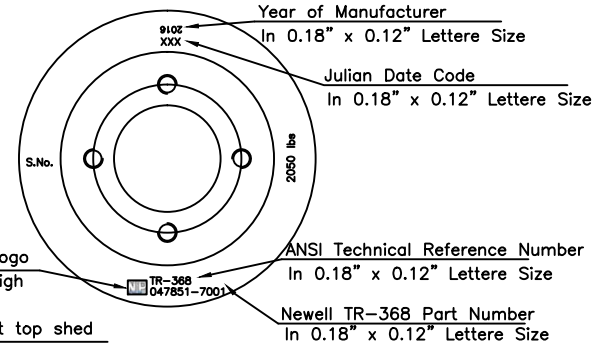
IMPULSE WITHSTAND VOLTAGE, kV	1300
CRITICAL IMPULSE FLASHOVER VOLTAGE, POSITIVE, kV	1410
WET POWER FREQUENCY WITHSTAND VOLTAGE, kV	525

RADIO INFLUENCE VOLTAGE RATINGS

LOW FREQUENCY TEST VOLTAGE, kV	220
MAX. RIV AT 1000 kHz, uV	1000

PHYSICAL CHARACTERISTICS

MINIMUM LEAKAGE DISTANCE, in (mm)	231 (5868)
UNIT HEIGHT, in (mm)	106 (2692)
NET WEIGHT, lbs (kg)	559 (254)
GLAZE COLOR	Light Gray
APPLICABLE STANDARD:ANSI: C29.9 & C29.1	
IEC:60168,273 & IS:2544, 5350	



3,4 & 5	Caps & Flange	MCI/SGI	Hot dip.galv.
1 ,2	Insulator body	Porcelain	Grey Glazed
S.No.	DESCRIPTION	MATERIAL	REMARKS

REF.212-C-1555	DWG.TYPE SALES	DWN. RVS	APP.
----------------	----------------	----------	------