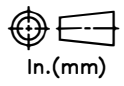


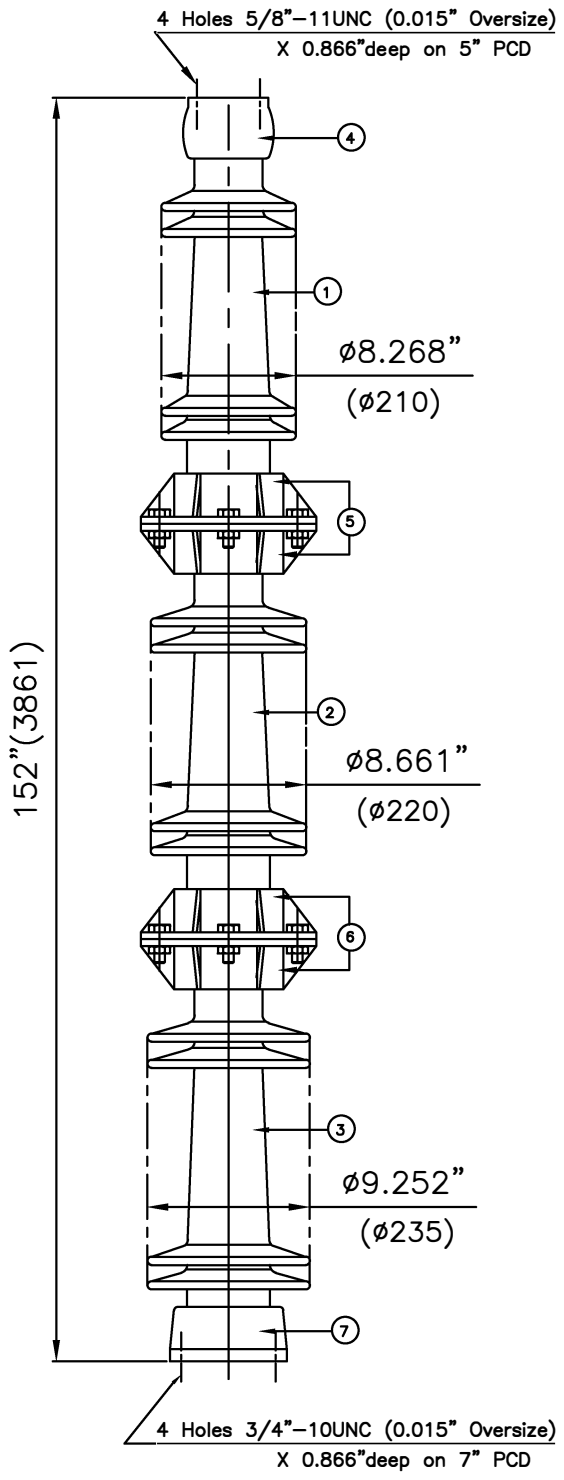
RELEASE HISTORY		
a	DRAWING/DESIGN CREATED Rev.0	23.09.2011 KN
b	DRAWING REDRAWN Rev.1	22.04.2021 RVS



PART# 47854-7001
DRAWING NUMBER 212-C-1641

TITLE STATION POST INSULATOR-1800kV BIL

REF. TECHNICAL REFERENCE # TR-391



TECHNICAL CHARACTERISTICS

MECHANICAL RATINGS

CANTILEVER STRENGTH, lbs (kN) (Upright Only)	1400 (6.22)
TENSION STRENGTH, lbs (kN)	20000 (89)
TORSION STRENGTH in-lbs (kN*M)	40000 (4.52)
COMPRESSION STRENGTH lbs (kN)	60000 (267)

ELECTRICAL RATINGS

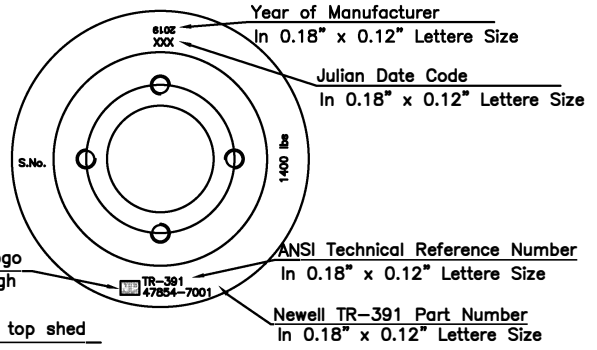
IMPULSE WITHSTAND VOLTAGE, kV	1800
CRITICAL IMPULSE FLASHOVER VOLTAGE, POSITIVE, kV	2000
WET POWER FREQUENCY WITHSTAND VOLTAGE, kV	710

RADIO INFLUENCE VOLTAGE RATINGS

LOW FREQUENCY TEST VOLTAGE, kV	318
MAX. RIV AT 1000 kHz, μ V	2000

PHYSICAL CHARACTERISTICS

MINIMUM LEAKAGE DISTANCE, in (mm)	330 (8382)
UNIT HEIGHT, in (mm)	152 (3861)
NET WEIGHT, lbs (kg)	546 (248)
GLAZE COLOR	Light Gray
APPLICABLE STANDARD: ANSI : C29.9 & C29.1	



4,5,6 & 7	Caps & Flange	SGI	Hot dip.galv.
1,2 & 3	Insulator body	Porcelain	Grey Glazed
S.No.	DESCRIPTION	MATERIAL	REMARKS

REF.212-C-1641	DWG.TYPE SALES	DWN. RVS	APP.
----------------	----------------	----------	------