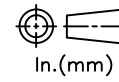


RELEASE HISTORY

a	DRAWING/DESIGN CREATED Rev.0	20.02.2013 KN
b	DRAWING REDRAWN Rev.1	27.05.2021 RVS

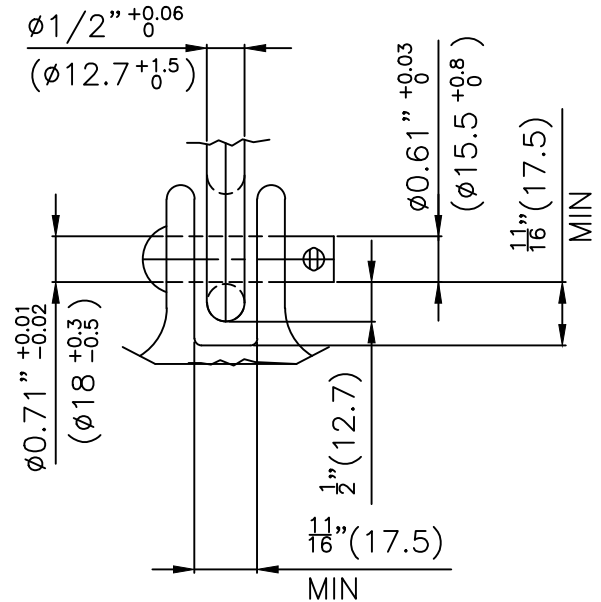
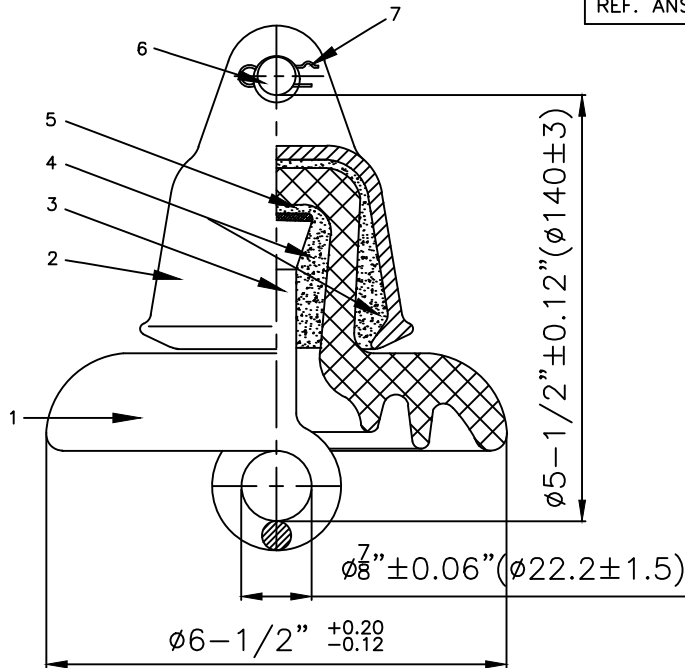


PART# 2325210-7001

DRAWING NUMBER NP521LG

TITLE SUSPENSION TYPE INSULATOR

REF. ANSI TECHNICAL REFERENCE # 52-1



**TECHNICAL CHARACTERISTICS**

**MECHANICAL RATINGS**

COMBINED M&E STRENGTH, lbs(kN)	10000 (44.48)
TENSION PROOF TEST lbs(kN)	5000 (22.24)
MINIMUM MECHANICAL IMPACT STRENGTH, in-lbs	90

**ELECTRICAL RATINGS**

LOW FREQUENCY DRY FLASHOVER VOLTAGE, kV	60
LOW FREQUENCY WET FLASHOVER VOLTAGE, kV	30
CRITICAL IMPULSE FLASHOVER VOLTAGE, POSITIVE, kV	100
CRITICAL IMPULSE FLASHOVER VOLTAGE, NEGATIVE, kV	100
LOW FREQUENCY PUNCTURE VOLTAGE, kV	80

**RADIO INFLUENCE VOLTAGE RATINGS**

LOW FREQUENCY TEST VOLTAGE, kV	7.5
MAX. RIV AT 1000 kHz, $\mu V$	50

**PHYSICAL CHARACTERISTICS**

SHELL MATERIAL	PORCELAIN
CONNECTION TYPE	CLEVIS
LEAKAGE DISTANCE, in (mm)	7 (178)
UNIT SPACING, in (mm)	5.5 (140)
SHELL DIAMETER, in (mm)	6.5 (165)
NET WEIGHT, lbs (kg)	6.16 (2.8)
GLAZE COLOR	LIGHT GRAY

APPLICABLE STANDARD: ANSI C29.1 & C29.2A

7	Stainless Steel split key R	-	
6	Steel Cotter Pin	-	
5	Lincrusta cushion	-	
4	Portland cement	-	
3	Forged steel Pin	-	
2	Malleable cast iron socket cap	-	
1	Porcelain shed	-	
S.No.	DESCRIPTION	MATERIAL	QTY.

REF. NP521LG	DWG. TYPE SALES	DWN. RVS	APP.
--------------	-----------------	----------	------