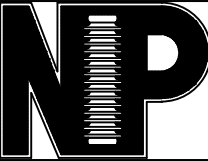
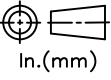
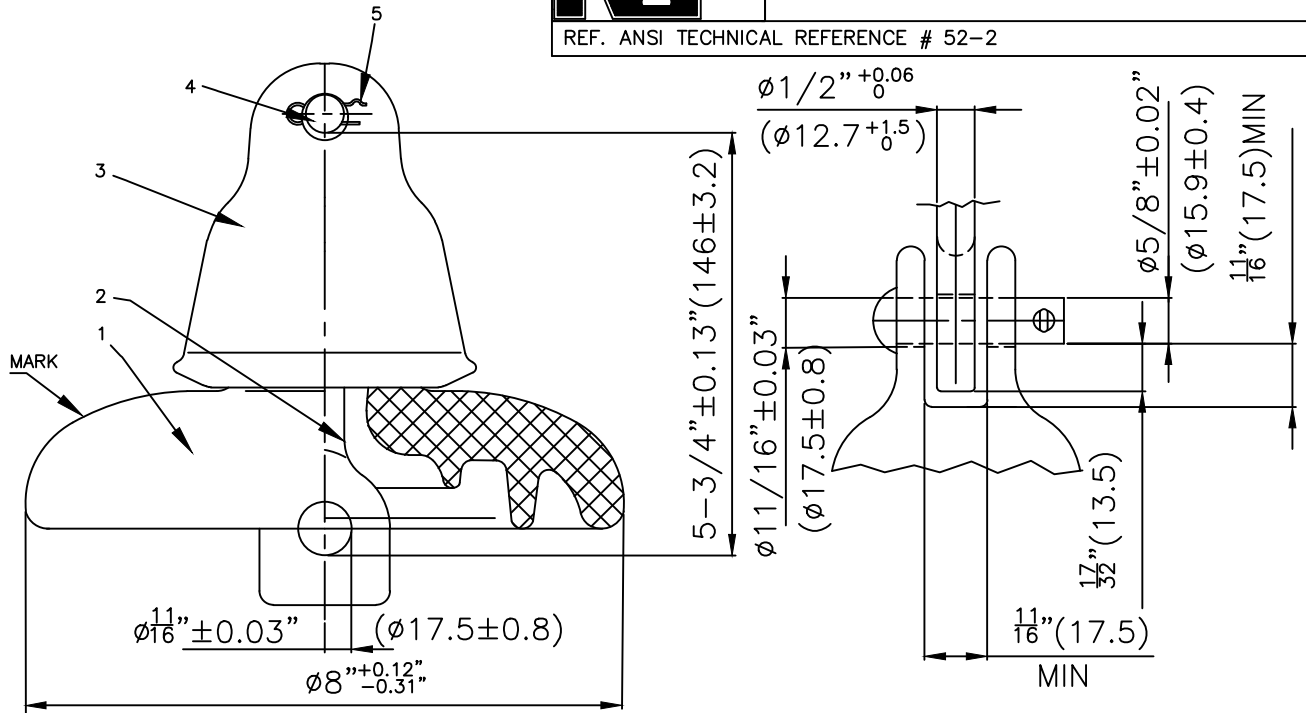


RELEASE HISTORY					PART# 2325220-7001
a	DRAWING/DESIGN CREATED Rev.0	20.02.2013 KN			DRAWING NUMBER NP522LG
b	DRAWING REDRAWN Rev.1	01.07.2021 RVS		TITLE SUSPENSION TYPE INSULATOR	

REF. ANSI TECHNICAL REFERENCE # 52-2



TECHNICAL CHARACTERISTICS

MECHANICAL RATINGS

COMBINED M&E STRENGTH, lbs(kN)	20000 (88.9)
TENSION PROOF TEST lbs(kN)	10000 (44.48)
MINIMUM MECHANICAL IMPACT STRENGTH, in-lbs	90

ELECTRICAL RATINGS

LOW FREQUENCY DRY FLASHOVER VOLTAGE, kV	65
LOW FREQUENCY WET FLASHOVER VOLTAGE, kV	35
CRITICAL IMPULSE FLASHOVER VOLTAGE, POSITIVE, kV	115
CRITICAL IMPULSE FLASHOVER VOLTAGE, NEGATIVE, kV	115
LOW FREQUENCY PUNCTURE VOLTAGE, kV	90

RADIO INFLUENCE VOLTAGE RATINGS

LOW FREQUENCY TEST VOLTAGE, kV	7.5
MAX. RIV AT 1000 kHz, μ V	50

PHYSICAL CHARACTERISTICS

SHELL MATERIAL	PORCELAIN
CONNECTION TYPE	CLEVIS
LEAKAGE DISTANCE, in (mm)	8.25 (210)
UNIT SPACING, in (mm)	5.75 (146)
SHELL DIAMETER, in (mm)	8 (203)
NET WEIGHT, lbs (kg)	10.12 (4.6)
GLAZE COLOR	LIGHT GRAY

APPLICABLE STANDARD: ANSI C29.1 & C29.2A

S.No.	DESCRIPTION	MATERIAL	QTY.
5	Stainless Steel split key 'R'	-	
4	Steel Cotter Pin	-	
3	Malleable cast iron socket cap	-	
2	Forged Steel Pin	-	
1	Porcelain shed	-	

REF. NP522LG	DWG. TYPE SALES	DWN. RVS	APP.
--------------	-----------------	----------	------