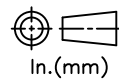


RELEASE HISTORY

a	DRAWING/DESIGN CREATED Rev.0	20.02.2013 KN
b	DRAWING REDRAWN Rev.1	28.05.2021 RVS



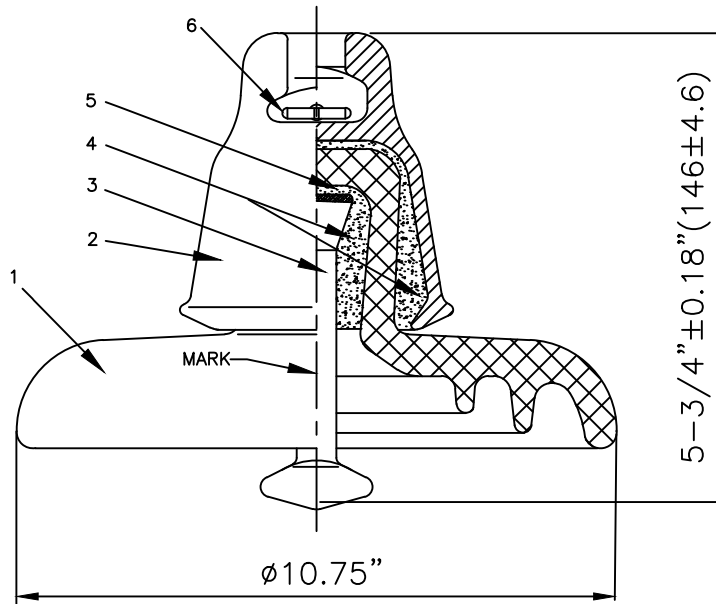
In.(mm)

PART# 2325230-5001

DRAWING NUMBER NP523BR

TITLE SUSPENSION TYPE INSULATOR

REF. ANSI TECHNICAL REFERENCE # 52-3H



**TECHNICAL CHARACTERISTICS**

**MECHANICAL RATINGS**

COMBINED M&E STRENGTH, lbs(kN)	20000 (88.9)
TENSION PROOF TEST lbs(kN)	10000 (44.48)
MINIMUM MECHANICAL IMPACT STRENGTH, in-lbs	90

**ELECTRICAL RATINGS**

LOW FREQUENCY DRY FLASHOVER VOLTAGE, kV	80
LOW FREQUENCY WET FLASHOVER VOLTAGE, kV	50
CRITICAL IMPULSE FLASHOVER VOLTAGE, POSITIVE, kV	125
CRITICAL IMPULSE FLASHOVER VOLTAGE, NEGATIVE, kV	130
LOW FREQUENCY PUNCTURE VOLTAGE, kV	110

**RADIO INFLUENCE VOLTAGE RATINGS**

LOW FREQUENCY TEST VOLTAGE, kV	10
MAX. RIV AT 1000 kHz, $\mu$ V	50

**PHYSICAL CHARACTERISTICS**

SHELL MATERIAL	PORCELAIN
CONNECTION TYPE	B&S TYPE B
LEAKAGE DISTANCE, in (mm)	11.5 (292)
UNIT SPACING, in (mm)	5.75 (146)
SHELL DIAMETER, in (mm)	10.75 (273)
NET WEIGHT, lbs (kg)	11.44 (5.2)
GLAZE COLOR	BROWN

APPLICABLE STANDARD: ANSI C29.1 & C29.2B

6	Stainless Steel Clip	-	
5	Lincrusta Cushion	-	
4	Portland Cement	-	
3	Forged Steel Ball Pin	-	
2	Malleable cast iron socket cap	-	
1	Porcelain shed	-	

S.No.	DESCRIPTION	MATERIAL	QTY.	REF. NP523BR	DWG.TYPE SALES	DWN. RVS	APP.
-------	-------------	----------	------	--------------	----------------	----------	------