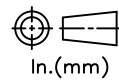


RELEASE HISTORY

a	DRAWING/DESIGN CREATED Rev.0	20.02.2013 KN
b	DRAWING REDRAWN Rev.1	28.05.2021 RVS

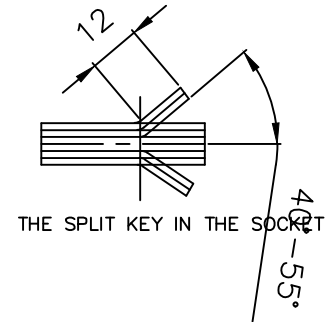
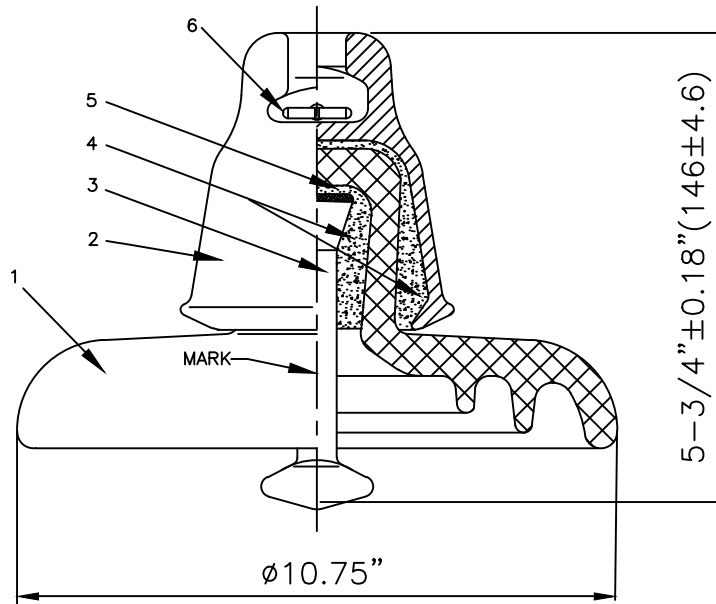


PART# 2325230-7001

DRAWING NUMBER NP523LG

TITLE SUSPENSION TYPE INSULATOR

REF. ANSI TECHNICAL REFERENCE # 52-3H



TECHNICAL CHARACTERISTICS

MECHANICAL RATINGS

COMBINED M&E STRENGTH, lbs(kN)	20000 (88.9)
TENSION PROOF TEST lbs(kN)	10000 (44.48)
MINIMUM MECHANICAL IMPACT STRENGTH, in-lbs	90

RADIO INFLUENCE VOLTAGE RATINGS

LOW FREQUENCY TEST VOLTAGE, kV	10
MAX. RIV AT 1000 kHz, μ V	50

ELECTRICAL RATINGS

LOW FREQUENCY DRY FLASHOVER VOLTAGE, kV	80
LOW FREQUENCY WET FLASHOVER VOLTAGE, kV	50
CRITICAL IMPULSE FLASHOVER VOLTAGE, POSITIVE, kV	125
CRITICAL IMPULSE FLASHOVER VOLTAGE, NEGATIVE, kV	130
LOW FREQUENCY PUNCTURE VOLTAGE, kV	110

PHYSICAL CHARACTERISTICS

SHELL MATERIAL	PORCELAIN
CONNECTION TYPE	B&S TYPE B
LEAKAGE DISTANCE, in (mm)	11.5 (292)
UNIT SPACING, in (mm)	5.75 (146)
SHELL DIAMETER, in (mm)	10.75 (273)
NET WEIGHT, lbs (kg)	11.44 (5.2)
GLAZE COLOR	LIGHT GRAY

APPLICABLE STANDARD: ANSI C29.1 & C29.2B

S.No.	DESCRIPTION	MATERIAL	QTY.
6	Stainless Steel Clip	-	
5	Lincrusta Cushion	-	
4	Portland Cement	-	
3	Forged Steel Ball Pin	-	
2	Malleable cast iron socket cap	-	
1	Porcelain shed	-	

REF. NP523LG	DWG.TYPE SALES	DWN. RVS	APP.
--------------	----------------	----------	------