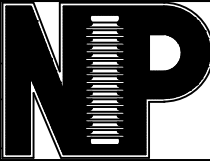
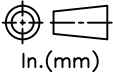
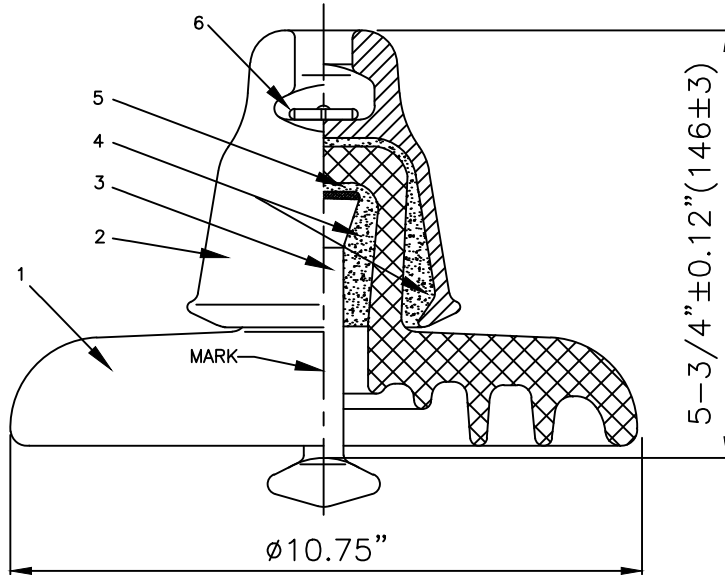


RELEASE HISTORY			 In.(mm)	PART# 2325250-5001	
a	DRAWING/DESIGN CREATED Rev.0			20.02.2013 KN	DRAWING NUMBER NP525BR
b	DRAWING REDRAWN Rev.1			28.05.2021 RVS	TITLE SUSPENSION TYPE INSULATOR
REF. ANSI TECHNICAL REFERENCE # 52-5H					



TECHNICAL CHARACTERISTICS

MECHANICAL RATINGS

COMBINED M&E STRENGTH, lbs(kN) 30000 (133.45)
 TENSION PROOF TEST lbs(kN) 15000 (66.7)
 MINIMUM MECHANICAL IMPACT STRENGTH, in-lbs 90

RADIO INFLUENCE VOLTAGE RATINGS

LOW FREQUENCY TEST VOLTAGE, kV 10
 MAX. RIV AT 1000 kHz, μ V 50

ELECTRICAL RATINGS

LOW FREQUENCY DRY FLASHOVER VOLTAGE, kV 80
 LOW FREQUENCY WET FLASHOVER VOLTAGE, kV 50
 CRITICAL IMPULSE FLASHOVER VOLTAGE, POSITIVE, kV 125
 CRITICAL IMPULSE FLASHOVER VOLTAGE, NEGATIVE, kV 130
 LOW FREQUENCY PUNCTURE VOLTAGE, kV 110

PHYSICAL CHARACTERISTICS

SHELL MATERIAL PORCELAIN
 CONNECTION TYPE B&S TYPE J
 LEAKAGE DISTANCE, in (mm) 11.5 (292)
 UNIT SPACING, in (mm) 5.75 (146)
 SHELL DIAMETER, in (mm) 10.75 (273)
 NET WEIGHT, lbs (kg) 12.5 (5.7)
 GLAZE COLOR BROWN

APPLICABLE STANDARD: ANSI C29.1 & C29.2B

6	Stainless Steel Clip	-	
5	Lincrusta Cushion	-	
4	Portland Cement	-	
3	Forged Steel Ball Pin	-	
2	Malleable cast iron socket cap	-	
1	Porcelain shed	-	

S.No.	DESCRIPTION	MATERIAL	QTY.	REF. NP525BR	DWG.TYPE SALES	DWN. RVS	APP.
-------	-------------	----------	------	--------------	----------------	----------	------