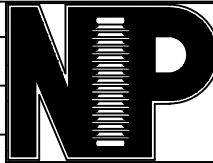


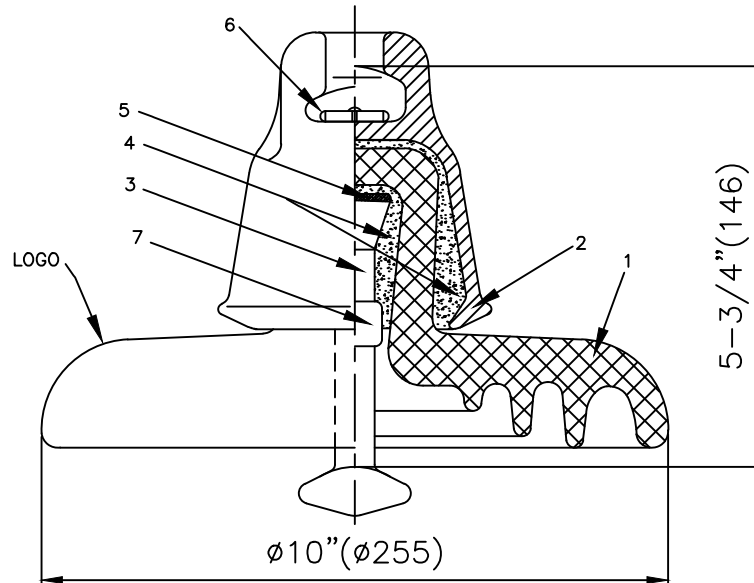
RELEASE HISTORY

a	DRAWING/DESIGN CREATED Rev.0	14.05.2019 KN
b	DRAWING REDRAWN Rev.1	03.06.2021 RVS



 In.(mm)	PART# 232525Z-4001
	DRAWING NUMBER NPZ525DG
TITLE-SUSPENSION TYPE INSULATOR W/ZINC SLEEVE	

REF. ANSI TECHNICAL REFERENCE # 52-5H



TECHNICAL CHARACTERISTICS

MECHANICAL RATINGS

COMBINED M&E STRENGTH, lbs(kN)	30000 (133.45)
TENSION PROOF TEST lbs(kN)	15000 (66.7)
MINIMUM MECHANICAL IMPACT STRENGTH, in-lbs	90

ELECTRICAL RATINGS

LOW FREQUENCY DRY FLASHOVER VOLTAGE, kV	80
LOW FREQUENCY WET FLASHOVER VOLTAGE, kV	50
CRITICAL IMPULSE FLASHOVER VOLTAGE, POSITIVE, kV	125
CRITICAL IMPULSE FLASHOVER VOLTAGE, NEGATIVE, kV	130
LOW FREQUENCY PUNCTURE VOLTAGE, kV	110

RADIO INFLUENCE VOLTAGE RATINGS

LOW FREQUENCY TEST VOLTAGE, kV	10
MAX. RIV AT 1000 kHz, μV	50

PHYSICAL CHARACTERISTICS

SHELL MATERIAL	PORCELAIN
CONNECTION TYPE	B&S TYPE J
LEAKAGE DISTANCE, in (mm)	11.5 (292)
UNIT SPACING, in (mm)	5.75 (146)
SHELL DIAMETER, in (mm)	10.75 (273)
NET WEIGHT, lbs (kg)	12.5 (5.7)
GLAZE COLOR	DARK GRAY

APPLICABLE STANDARD: ANSI C29.1 & C29.2B

S.No.	DESCRIPTION	MATERIAL	QTY.
7	Corrosion Sleeve	Zinc	1
6	Split Pin	Stainless Steel	1
5	Cushion	Asphalt Felt	1
4	Cement	Portland	-
3	Pin	Forged Steel, hot deep galv	1
2	Cap	Malleable Cast Iron, hot deep galv	1
1	Porcelain	C120	1

REF. NPZ525DG	DWG. TYPE SALES	DWN. RVS	APP.
---------------	-----------------	----------	------