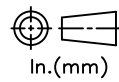
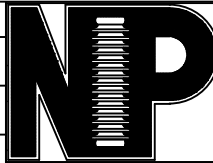


RELEASE HISTORY

| | | |
|---|------------------------------|----------------|
| a | DRAWING/DESIGN CREATED Rev.0 | 14.05.2019 KN |
| b | DRAWING REDRAWN Rev.1 | 03.06.2021 RVS |



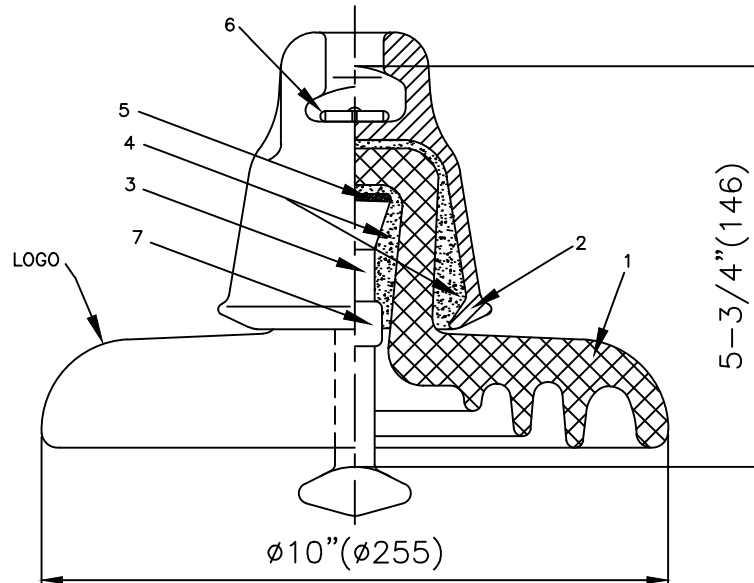
In.(mm)

PART# 232525Z-7001

DRAWING NUMBER NPZ525LG

TITLE-SUSPENSION TYPE INSULATOR W/ZINC SLEEVE

REF. ANSI TECHNICAL REFERENCE # 52-5H



TECHNICAL CHARACTERISTICS

MECHANICAL RATINGS

| | |
|--|----------------|
| COMBINED M&E STRENGTH, lbs(kN) | 30000 (133.45) |
| TENSION PROOF TEST lbs(kN) | 15000 (66.7) |
| MINIMUM MECHANICAL IMPACT STRENGTH, in-lbs | 90 |

RADIO INFLUENCE VOLTAGE RATINGS

| | |
|--------------------------------|----|
| LOW FREQUENCY TEST VOLTAGE, kV | 10 |
| MAX. RIV AT 1000 kHz, μ V | 50 |

ELECTRICAL RATINGS

| | |
|--|-----|
| LOW FREQUENCY DRY FLASHOVER VOLTAGE, kV | 80 |
| LOW FREQUENCY WET FLASHOVER VOLTAGE, kV | 50 |
| CRITICAL IMPULSE FLASHOVER VOLTAGE, POSITIVE, kV | 125 |
| CRITICAL IMPULSE FLASHOVER VOLTAGE, NEGATIVE, kV | 130 |
| LOW FREQUENCY PUNCTURE VOLTAGE, kV | 110 |

PHYSICAL CHARACTERISTICS

| | |
|---------------------------|-------------|
| SHELL MATERIAL | PORCELAIN |
| CONNECTION TYPE | B&S TYPE J |
| LEAKAGE DISTANCE, in (mm) | 11.5 (292) |
| UNIT SPACING, in (mm) | 5.75 (146) |
| SHELL DIAMETER, in (mm) | 10.75 (273) |
| NET WEIGHT, lbs (kg) | 12.5 (5.7) |
| GLAZE COLOR | LIGHT GRAY |

APPLICABLE STANDARD: ANSI C29.1 & C29.2B

| S.No. | DESCRIPTION | MATERIAL | QTY. |
|-------|------------------|------------------------------------|------|
| 7 | Corrosion Sleeve | Zinc | 1 |
| 6 | Split Pin | Stainless Steel | 1 |
| 5 | Cushion | Asphalt Felt | 1 |
| 4 | Cement | Portland | - |
| 3 | Pin | Forged Steel, hot deep galv | 1 |
| 2 | Cap | Malleable Cast Iron, hot deep galv | 1 |
| 1 | Porcelain | C120 | 1 |

| | | | |
|---------------|-----------------|----------|------|
| REF. NPZ525LG | DWG. TYPE SALES | DWN. RVS | APP. |
|---------------|-----------------|----------|------|