
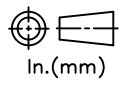
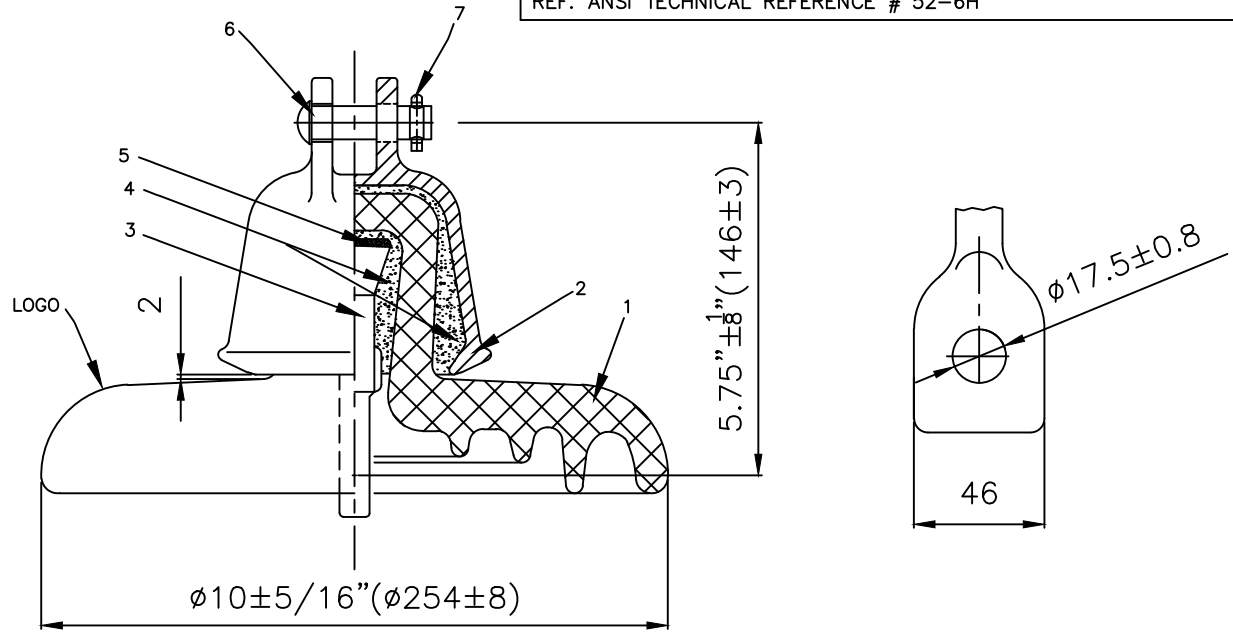


RELEASE HISTORY			 In.(mm)	PART# 232526Z-7001	
a	DRAWING/DESIGN CREATED Rev.0			14.05.2019 KN	DRAWING NUMBER NPZ526LG
b	DRAWING REDRAWN Rev.1			03.06.2021 RVS	TITLE-SUSPENSION TYPE INSULATOR W/ZINC SLEEVE
REF. ANSI TECHNICAL REFERENCE # 52-6H					



TECHNICAL CHARACTERISTICS

MECHANICAL RATINGS

COMBINED M&E STRENGTH, lbs(kN)	30000 (133.45)
TENSION PROOF TEST lbs(kN)	15000 (66.7)
MINIMUM MECHANICAL IMPACT STRENGTH, in-lbs	90

RADIO INFLUENCE VOLTAGE RATINGS

LOW FREQUENCY TEST VOLTAGE, kV	10
MAX. RIV AT 1000 kHz, μV	50

ELECTRICAL RATINGS

LOW FREQUENCY DRY FLASHOVER VOLTAGE, kV	80
LOW FREQUENCY WET FLASHOVER VOLTAGE, kV	50
CRITICAL IMPULSE FLASHOVER VOLTAGE, POSITIVE, kV	125
CRITICAL IMPULSE FLASHOVER VOLTAGE, NEGATIVE, kV	130
LOW FREQUENCY PUNCTURE VOLTAGE, kV	110

PHYSICAL CHARACTERISTICS

SHELL MATERIAL	PORCELAIN
CONNECTION TYPE	CLEVIS
LEAKAGE DISTANCE, in (mm)	11.5 (292)
UNIT SPACING, in (mm)	5.75 (146)
SHELL DIAMETER, in (mm)	10.75 (273)
NET WEIGHT, lbs (kg)	12.5 (5.7)
GLAZE COLOR	LIGHT GRAY

APPLICABLE STANDARD: ANSI C29.1 & C29.2B

S.No.	DESCRIPTION	MATERIAL	QTY.
7	Clip	Stainless Steel	1
6	Cotter Pin	Steel hot deep galv.	1
5	Licrsta Cushion		1
4	Cement	Portland	-
3	Pin	Steel with Zinc sleeve, hot deep galv	1
2	Cap	Malleable Cast Iron, hot deep galv	1
1	Porcelain shed	Porcelain	1

REF. NPZ526LG	DWG. TYPE SALES	DWN. RVS	APP.
---------------	-----------------	----------	------