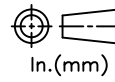


RELEASE HISTORY

a	DRAWING/DESIGN CREATED Rev.0	20.02.2013 KN
b	DRAWING REDRAWN Rev.1	28.05.2021 RVS

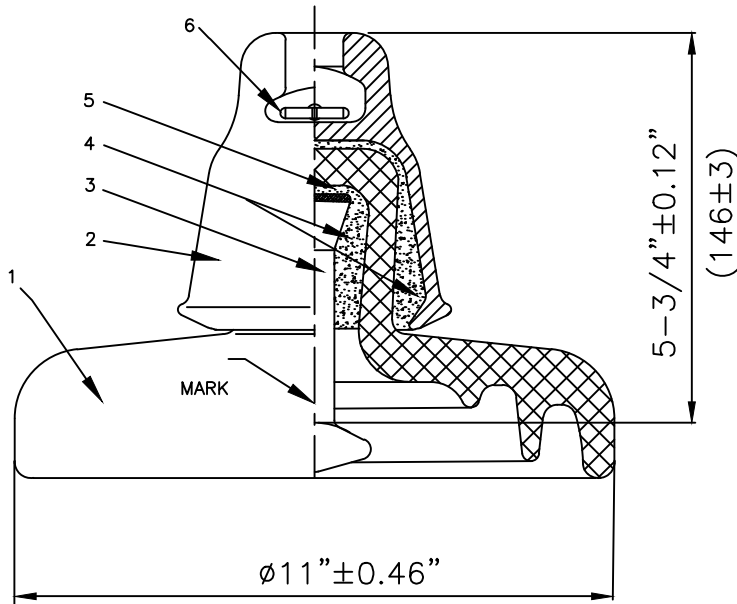


PART# 2325280-5001

DRAWING NUMBER NP528BR

TITLE SUSPENSION TYPE INSULATOR

REF. ANSI TECHNICAL REFERENCE # 52-8H



TECHNICAL CHARACTERISTICS

MECHANICAL RATINGS

COMBINED M&E STRENGTH, lbs(kN)	40000 (178)
TENSION PROOF TEST lbs(kN)	20000 (88.9)
MINIMUM MECHANICAL IMPACT STRENGTH, in-lbs	90

ELECTRICAL RATINGS

LOW FREQUENCY DRY FLASHOVER VOLTAGE, kV	80
LOW FREQUENCY WET FLASHOVER VOLTAGE, kV	50
CRITICAL IMPULSE FLASHOVER VOLTAGE, POSITIVE, kV	125
CRITICAL IMPULSE FLASHOVER VOLTAGE, NEGATIVE, kV	130
LOW FREQUENCY PUNCTURE VOLTAGE, kV	110

RADIO INFLUENCE VOLTAGE RATINGS

LOW FREQUENCY TEST VOLTAGE, kV	10
MAX. RIV AT 1000 kHz, μ V	50

PHYSICAL CHARACTERISTICS

SHELL MATERIAL	PORCELAIN
CONNECTION TYPE	B&S TYPE K
LEAKAGE DISTANCE, in (mm)	12.5 (317.5)
UNIT SPACING, in (mm)	5.75 (146)
SHELL DIAMETER, in (mm)	11 (279)
NET WEIGHT, lbs (kg)	17.4 (7.9)
GLAZE COLOR	BROWN

APPLICABLE STANDARD: ANSI C29.1 & C29.2B

6	Stainless Steel Clip	-	
5	Lincrusta Cushion	-	
4	Portland Cement	-	
3	Forged Steel Ball Pin	-	
2	Malleable cast iron socket cap	-	
1	Porcelain shed	-	

S.No.	DESCRIPTION	MATERIAL	QTY.	REF. NP528BR	DWG.TYPE SALES	DWN. RVS	APP.
-------	-------------	----------	------	--------------	----------------	----------	------